

2005-1S2007

Commercial Air Conditioners 2020



**Commercial Air Conditioner Division**  
**Midea Group**

Add.: Midea Headquarters Building, 6 Midea Avenue, Shunde, Foshan, Guangdong, China

Postal code: 528311

[cac.midea.com](http://cac.midea.com) [www.midea-group.com](http://www.midea-group.com)



Note: Product specifications change from time to time as product improvements and developments are released and may vary from those in this document.

**Split Commercial A/C**  
**R410A 50/60Hz**



## Midea CAC

Midea CAC is a key division of the Midea Group, a leading producer of consumer appliances and provider of heating, ventilation and air conditioning solutions. Midea CAC has continued with the tradition of innovation upon which it was founded, and emerged as a global leader in the HVAC industry. A strong drive for advancement has created a groundbreaking R&D department that has placed Midea CAC at the forefront of a competitive field. Through these independent efforts and joint cooperation with other global enterprises, Midea has supplied thousands of innovative solutions to customers worldwide.

There are four production bases: Shunde, Chongqing, Hefei and Italy.

MCAC Shunde: 38 product lines focusing on VRF, Split Products, Heat Pump Water Heaters, and AHU/FCU.

MCAC Chongqing: 14 product lines focusing on Water Cooled Centrifugal/Screw/Scroll Chillers, Air Cooled Screw/Scroll Chillers and AHU/FCU.

MCAC Hefei: 11 product lines focusing on VRF, Chillers and Heat Pump Water Heaters.

Clivet S.p.A: 50,000m<sup>2</sup> workshop in Feltrè and Verona, covering products such as ELFO system, hydronic, WHLP, packaged, split and close control and so on.

- 2020 >> A new generation 3-pipe heat recovery VRF will be launched in the middle of 2020.
- 2018-2019 >> Launched the All DC Inverter Cooling Only VC Pro VRF, ultra cool for hot regions
- 2017-2018 >> Launched the new generation VRF globally, leading in VRF market
- 2016 >> Acquired 80% stake in Clivet
- 2014-2015 >> Win FIFA World Cup Stadiums project in Brazil Beira Rio, Olympic Games Stadiums project in Brazil Rio de Janeiro and Africa games Stadiums project in Congo Brazzaville successively
- 2014 >> Launched the All DC Inverter V5X globally, outstanding product performance helps Midea leading VRF market
- 2011-2014 >> Launched the DC Inverter V4 Plus Series successively, complete product lines help Midea successfully enter the mainstream VRF market
- 2011-2012 >> J.V. with Carrier LA and Carrier India successively
- 2009 >> Launched the DC Inverter V4 globally
- 2008 >> Developed DC inverter technology with Toshiba
- 2000-2001 >> Cooperated with Toshiba and Copeland, enter VRF field
- 1999 >> Entered the CAC field

# MCAC Learning Academy



## Objective

Midea CAC Learning Academy aims to provide training to the sales personnel as well as technical personnel in order to increase the utilization for your Midea CAC equipment. Once you have purchased equipment from Midea CAC, taking care of the equipment is topmost priority. Midea CAC Learning Academy offers training courses to learn firsthand from the manufacturer what it takes to get the best out of your Midea CAC product. The goal of Midea CAC Learning Academy is to provide product specific training, safe work procedures and expertise in carrying out the installation and maintenance of Midea CAC products as well as teaching the main selling points in order to help the sales people sell the Midea CAC products with ease.

## Training Centers

Our world class training centers provide knowledge and skills necessary to efficiently deploy Midea CAC technologies. The training centers include dedicated laboratories to provide hands-on experiences with various systems, components and controls to refresh and enhance the skills of your sales, design and installation and service teams. Right now we operate our trainings from the below two locations:

### 1. Midea CAC Training Center

**Address:** Midea CAC Training Center, 2nd Floor, Building 6, Midea Global Innovation Center, Beijiao, Shunde, Foshan, China  
Pin- 528311

The Midea CAC Training Center is situated 30 kilometers from Baiyun Guangzhou International Airport.

**Products:** VRF, M-Thermal

### 2. Chongqing Midea Training Center

**Address:** No. 15, Qiangwei Road, Nan'an District, Chongqing, China

Chongqing Midea Training Center is 35 kilometers from Chongqing International Airport.

**Products:** Centrifugal Chiller, Screw/Scroll Chiller and Terminals



VRF training



M-Thermal training



Chiller training

## Global Technical Trainings

The training courses by Midea CAC Learning Academy are divided into the following two categories with different targeted audiences for each.

**Design and Application Trainings:** The design and application trainings for various products are basically for the sales personnel selling Midea CAC products in order to give them basic understanding about the main features. The trainings are conducted on a global level inviting sales engineers, technical engineers, consultants and project designers from different parts of the world.

### Main Courses Offered:

1. Introduction to main Selling points and Features
2. Installation and Commissioning
3. Control Systems
4. Selection Software



### Products: VRF, M-Thermal, Chillers and Terminals

**After Sales- Service Trainings:** These trainings are dedicated for the After Sales/ Service personnel in order for them to better carry out the installation, commissioning and maintenance of Midea CAC products. Technical person and engineers from different parts of the world are invited to take part in these trainings.

### Main Courses Offered:

1. Product Electric Control and Refrigerant System
2. Control Systems
3. Installation and Commissioning Demonstration
4. Troubleshooting and Maintenance

### Products: VRF, M-Thermal, Chillers and Terminals

**Highly Skilled Trainers:** The trainers for various courses by Midea CAC Learning Academy are expert people with vast experiences in their field. Most of them have a deep insight about the global HVAC market and help the attendees to better understand the CAC products.

### Training Certificates:

The attendees for Global trainings are provided a training certificate highlighting the courses discussed in the training, signed by Mr. Jason Zhao, General Manager of Midea CAC Overseas Sales Company.

### Registration:

You can contact your respective Midea contact point to provide you with the complete schedule about the global technical trainings as well as how to register for these trainings.



# Contents

- » 07 Introduction
- » 09 General Features
- » 17 DX AHU Series
- » 21 Duct Indoor Unit Series
- » 45 Floor-standing Indoor Unit Series
- » 54 Four-way Cassette Indoor Unit Series
- » 59 Dimensions
- » 64 Controllers



# Introduction

Midea split type air conditioners are designed and manufactured to meet the requirements of the home, office, hotel and others public occasion use. The units are completely assembled, internally wired, charged outdoor unit with refrigerant at the factory.

## DX AHU (Air Handler Unit) Series

Application	Power supply	Series	Nominal cooling capacity (kBtu/h)			
			36	60	90	120
R410A T1	220V, 3Ph~,60Hz	Indoor units (DX AHU)			○	○
	208~230V, 3Ph~,60Hz	Outdoor units			○	○

Notes:  
1. Product's cooling capacity as per specification.

## DC Inverter Conventional Split A/C Series

Application	Power Supply	Series	Nominal Cooling Capacity (kBtu/h)				
			38	48	76	96	
R410A T1 (DC Inverter) (Heat Pump)	220-240V, 1Ph~,50Hz	Indoor units	Medium static pressure duct indoor unit				○
			High static pressure duct indoor unit				○
			Floor standing indoor unit				○
		Four-way cassette indoor unit		○			
	380-415V, 3Ph~, 50Hz	Outdoor units				○	
R410A T1 (DC Inverter) (Cooling Only)	220-240V, 1Ph~,50Hz	Indoor units	Medium static pressure duct indoor unit			○	○
			High static pressure duct indoor unit			○	○
			Floor standing indoor unit			○	○
			Four-way cassette indoor unit	○	○		
		380-415V, 3Ph~, 50Hz	Outdoor units			○	○
	220-240V, 1Ph~,60Hz	Indoor units	Medium static pressure duct indoor unit			○	○
			High static pressure duct indoor unit			○	○
			Floor standing indoor unit			○	○
Four-way cassette indoor unit			○	○			
	380-415V, 3Ph~, 60Hz	Outdoor units			○	○	

## Normal Conventional Split A/C Series

Application	Power Supply	Series	Nominal Cooling Capacity (kBtu/h)								
			76	96	120	150	180	192	240		
R410A T1 (Heat Pump)	220-240V, 1Ph~,50Hz	Indoor Units	Medium static pressure duct indoor unit	○		○					
			High static pressure duct indoor unit	○			○		○		
			Floor standing indoor unit	○							
	380-415V, 3Ph~,50Hz	Outdoor units	○		○	○			○		
R410A T1 (DC Inverter) (Heat Pump)	220-240V, 1Ph~,50Hz	Indoor units	○	○							
	380-415V, 3Ph~, 50Hz	Outdoor units	○	○							
R410A T3 (Cooling Only)	220-240V, 1Ph~, 50Hz	Indoor units	Medium static pressure duct indoor unit	○	○	○	○				
			High static pressure duct indoor unit	○	○						
			Floor standing indoor unit	○	○	○					
		380-415V, 3Ph~, 50Hz	Outdoor units	○	○	○					
	208~230V, 1Ph~, 60Hz	Indoor units	Medium static pressure duct indoor unit		○	○		○		○	
			Floor standing indoor unit		○						
	208~230V, 3Ph~, 60Hz	Outdoor units		○	○						
R410A T3 (Heat Pump)	220-240V, 1Ph~, 50Hz	Indoor units	Medium static pressure duct indoor unit	○	○	○					
			High static pressure duct indoor unit	○	○						
			Floor standing indoor unit	○	○						
	380-415V, 3Ph~, 50Hz	Outdoor units	○	○	○						

Notes:  
1. Product's cooling capacity as per specification.

# General Features



 R410A

# General Features for Normal Conventional Split A/C Series

## Convenient for unit selection

### General

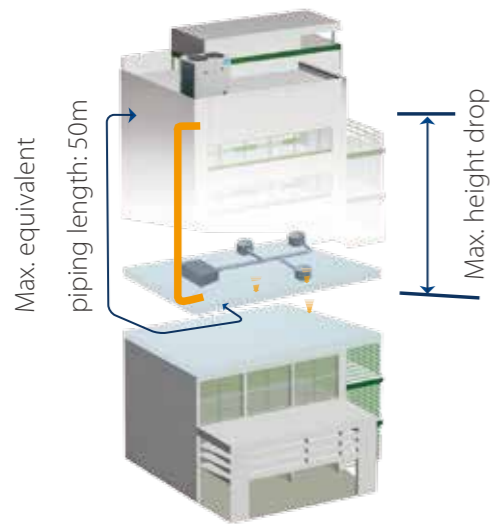
Features for Normal Conventional Split A/C Series

### Wide cooling capacity range

- ❖ Wide cooling capacity range. The duct type split A/C is from 76,000Btu/h to 240,000Btu/h.

### Long piping length

- ❖ Max. equivalent piping length is 50m. The outdoor unit can be installed at any ventilation locations. (Unavailable for AHU type)



		Permitted value
Max. Equivalent piping length		50 m
Max. height drop between indoor and outdoor unit	Outdoor unit up	25 m
	Outdoor unit down	30 m

## Outstanding reliability

### Durable construction

- ❖ Pre-painted exterior cabinet panels pass 1000 hours Salt Spray Test for durability.
- ❖ Weather-resistant construction with capped steams and sloped top panels.
- ❖ G90 galvanized heavy gauge plate conforming to ASTM-A-653.



## Anti-corrosion treatment as optional

- ❖ The large split air conditioners with special anti-corrosion treatment are suitable for seaside areas or the areas exposed to acidic substances.



- ❖ Special anti-corrosion treatment of heat exchanger provides 5 to 6 times greater resistance against acid rain and salt corrosion.
- ❖ All PCB parts in the unit are coated with double-side moisture proof paint. The outer side of electric box metal cover is spray-painted.
- ❖ All screws are anti-rust.
- ❖ Casings of the unit and motors are anti-rust.

## Reliable scroll compressor

- ❖ Famous brand compressor: Hitachi, Danfoss, etc. More reliable.
- ❖ No complex internal suction and discharge valves for quieter operation and higher reliability.
- ❖ Compact, light-weight design, and fewer moving parts design.



## Multi-protection design

- ❖ Multi-measurement to ensure units operate normally and reliably: System current protection, High/low pressure switch protection, Temperature sensor on/off protection, etc.
- ❖ Three-phase protector is optional.

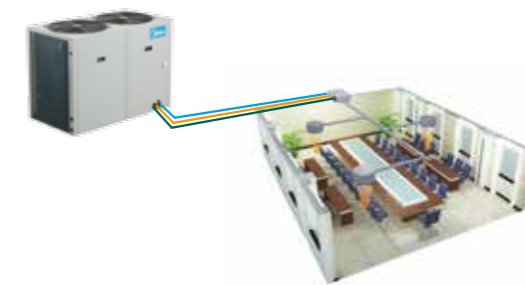


HP/LP switch

Temperature sensor

## Easy for installation

- ❖ Units are completely assembled, internally wired, charged outdoor unit with refrigerant at the factory.
- ❖ The site work only needs to connect refrigerant pipes and communication wires between outdoor unit and indoor unit.

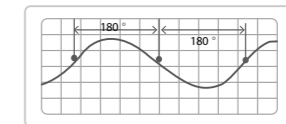
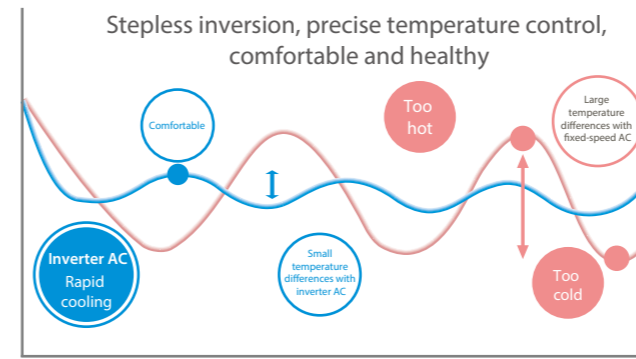


- Liquid pipe
- Gas pipe
- Connecting cable

# General Features for New DC Inverter Conventional Split A/C Series Outdoor Unit

## DC inverter technology, precise temperature control

The DC inverter compressor system reaches full load rapidly providing less temperature fluctuation and improved living environment.



**DC inverter technology**  
New generation 180° sine wave drive technology, higher energy efficiency



**Compressor seamless inverter main board**  
Wider inverter range control



**High-precision EXVs**  
Each EXV part achieves **480 pulse rate** to precisely adjust refrigerant flow



**High-precision temperature sensor**  
It can react to temperature fluctuations with a precision of **0.5°C**.

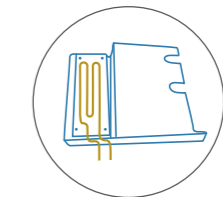
## Refrigerant cooling PCB

The outdoor unit uses refrigerant cooling technology to cool the electric control box guaranteeing the stable and safe running of the control system.

It improves the high temperature cooling capabilities, resulting in a system that can provide powerful cooling in 55°C environment, with increased high temperature cooling efficiency of 15~20%, rapidly cools in high temperature environments, with a temperature drop rate that is 5-10% faster than that of conventional ACs.



\* The above data was cited from a nationally accredited laboratory.



Liquid cooling is more efficient, allowing it to function in high temperature environments and making it more adaptable to high-temperature urban environments.

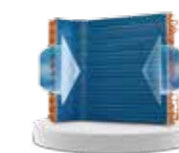
## Brand name components, smart manufacturing, professionalism, and premium quality

Combines a variety of multi-core components such as brand name DC inverter compressors, high efficiency heat exchanger, and a high functionality motor. This ensures that the system is high quality, energy-saving, quiet, and durable.



### Compressor of renowned brand

Utilizes brand name high-efficiency DC inverter compressor for powerful operation that is more energy efficient and stable.



### Efficient Heat Exchanger

Features an overlapping multiple-outlet route design, distributing the flow of air more evenly, delivering higher heat transfer and increased efficiency.



### High functionality motor

Utilizes new manufacturing technology and materials to effectively mitigate wear and tear and improve operating efficiency.



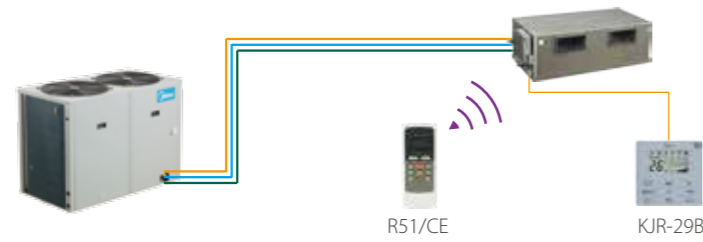
### Quiet fan blades

The structure of this unit's fan blades has been optimized using CFD technology, reducing the electric motor's energy consumption and operating noise.

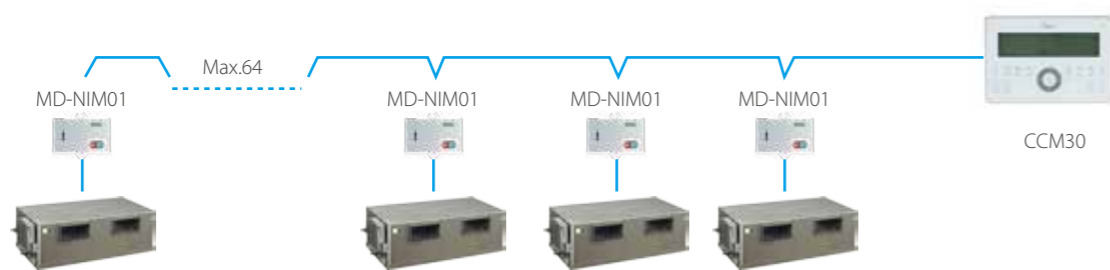
# Flexible choice of accessories

## Controllers

- ❖ Wireless remote controller is available for conventional split A/C series.
- ❖ Wired controller can be directly connected to indoor units.



- ❖ Centralized control function can be achieved through the centralized controller as optional. MD-NIM01 should be connected between the indoor units and centralized controller.



Notes: The new DC inverter series don't need the MD-NIM01, connect to outdoor unit directly.

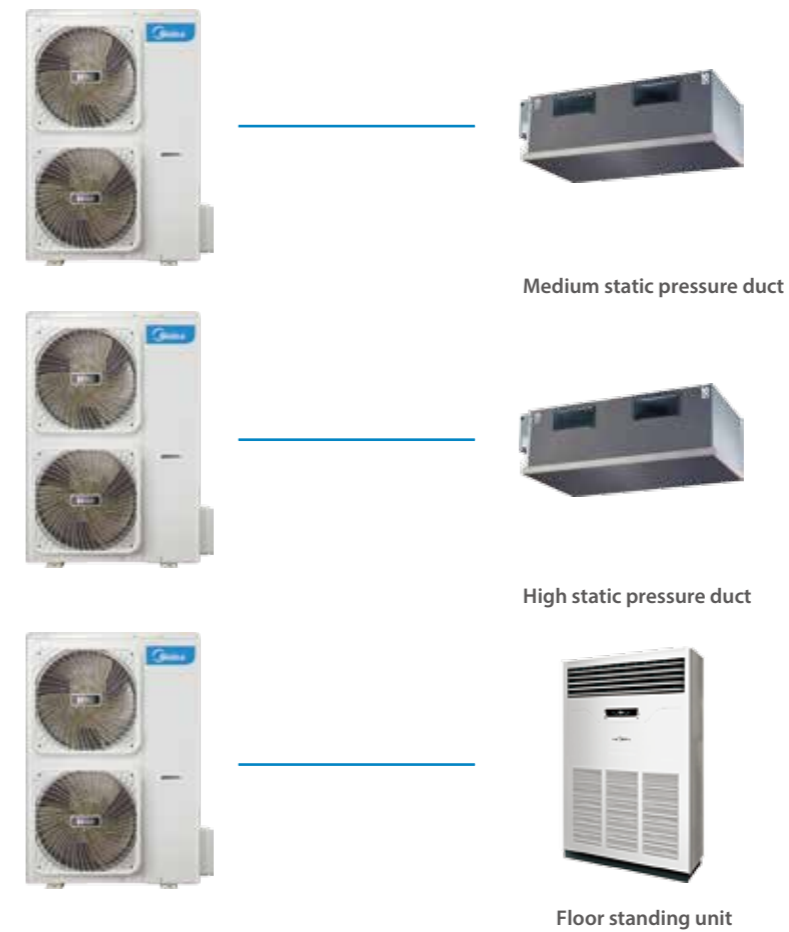
## Multi-accessories

Description	T1, Duct		Tropical (T3), Duct		Floor-standing	
	Standard	Optional	Standard	Optional	Standard	Optional
Filter		√		√	√	
Outlet drainage	√		√		√	
EHK (Electric Heater Kits)		√		√		√
Three-phase protector		√		√		√
Wireless controller		√	√		√	
Wired controller	√			√		√
Centralized controller		√		√		√



## Matchable Table

### One drive one system



### One drive two system



## Silence technology ensures a quiet operating environment

To implement quieter running of IDU and ODU, we used advanced technologies such as CFD and FEM, researching the sources of component vibration in air conditioning systems and optimizing the fan's blades, resulting in an air conditioning unit that creates a more comfortable and harmonious work environment for customers.



- Newly-designed air guide ring
- Newly-designed air outlet grille
- Motor mount features a vibration-reduction design



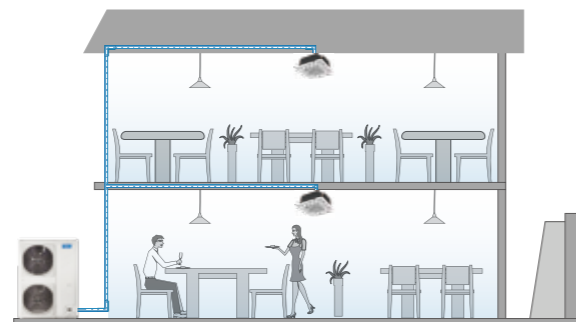
- New-generation DC inverter compressor with high performance and low noise
- Compressor soundproof enclosure processing
- Vibration-reduction design of 3D simulation pipe



- Large vibration-reduction axial fan
- Refrigerant flow muffling
- Vibration-reduction outer casing for outdoor unit

## A long-pipe high-drop design allows flexible installation and optimizes space

A long-pipe high-drop design allows users to flexibly select the installation location, optimizing the use of space.



Maximum pipe length  
**70m**

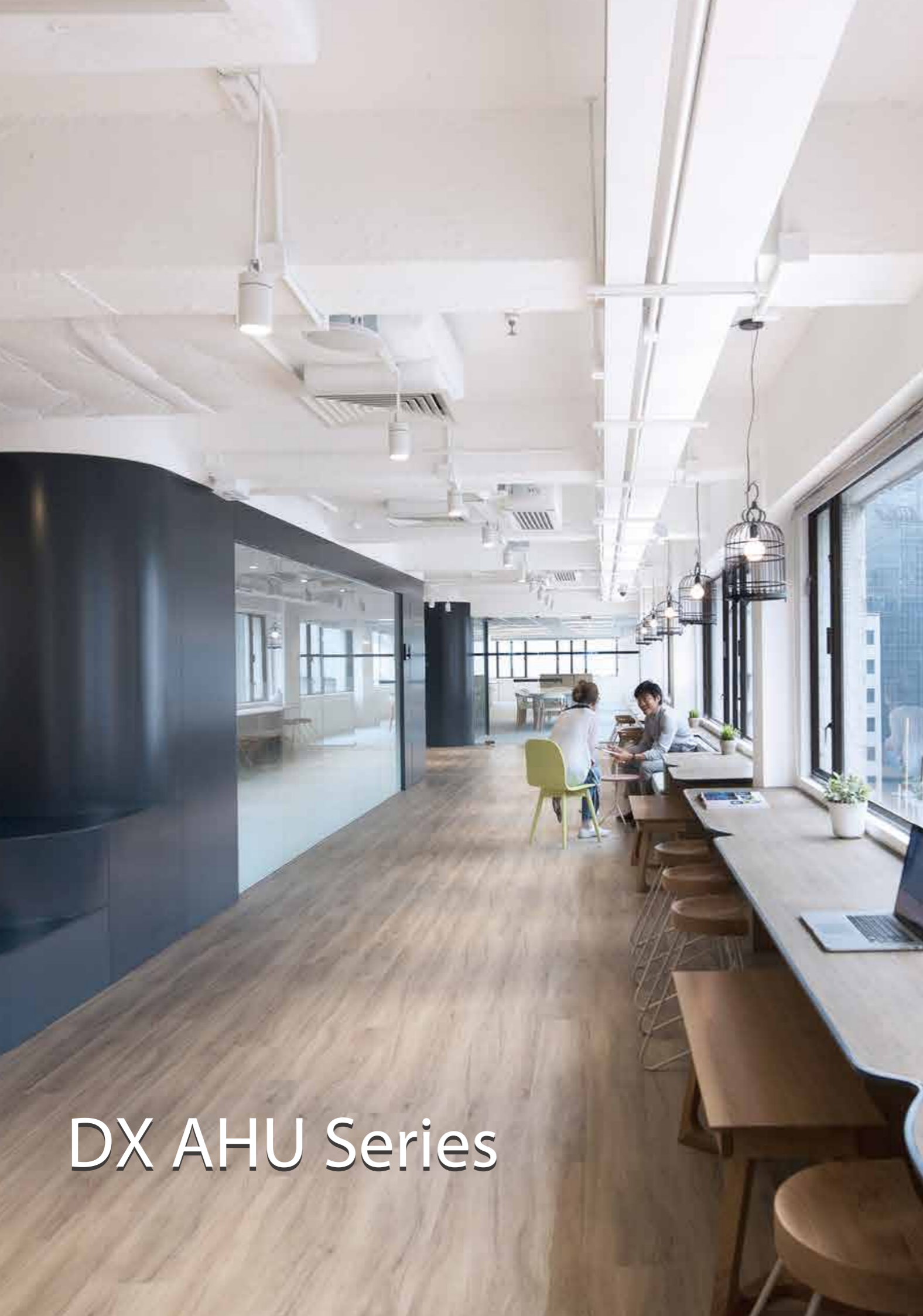
Maximum level difference between IDU and ODU  
**30m**

## Creates a small footprint, saving installation space

The outdoor unit has a small footprint with only 0.333m<sup>2</sup> for a 8/10HP cooling only unit, which can significantly save installation space.



Takes up a small footprint



# DX AHU Series

## DX AHU (Air Handling Unit)



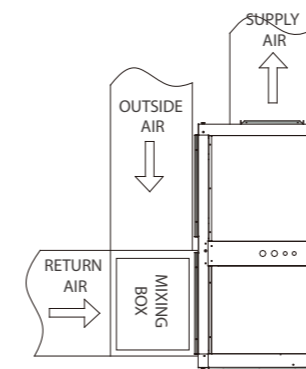
Wired controller  
KJR-25B (Optional)

### Variable speed pulley design, ESP can be adjusted

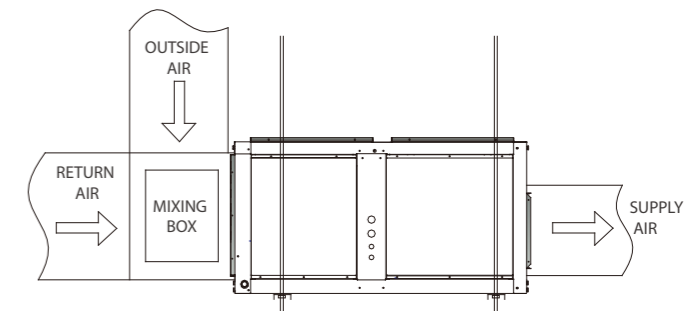
- ❖ Changing the speed of a rotating shaft member, the revolutions per minute of particular shaft can be increased or decreased. At the same time, the indoor air volume can be adjusted.
- ❖ The external static pressure can be adjusted up to 200Pa.



### Flexible installation

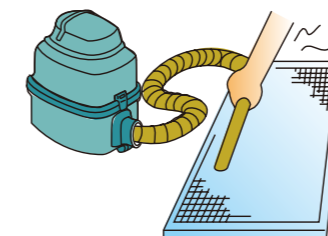


Vertical (Standard)



Horizontal (Optional)

### Washable filter as standard



Metal filter, grade G3.

## Specifications

T1 application, 208~230V, 3Ph~, 60Hz

Indoor unit model			MVA-90CWN1-V	MVA-120CWN1-V
Outdoor unit model			MOV-90CN1-D	MOV-120CN1-D
Indoor unit power supply			220V, 3Ph~, 60Hz	220V, 3Ph~, 60Hz
Cooling	Capacity	Btu/h	88,700	119,400
		kW	26.0	35.0
	Input	kW	9.0	12.1
		EER	W/W	2.89
Max. power input		W	1,600 (Indoor unit)	1,800 (Indoor unit)
Max. current		A	6.6 (Indoor unit)	7.8 (Indoor unit)
Air flow		CFM [L/s]	3,000 [1,417] @ 0.25 in.H <sub>2</sub> O [62Pa]	4,000 [1,889] @ 0.30 in.H <sub>2</sub> O [75Pa]
External static pressure range		in.H <sub>2</sub> O [Pa]	0.1~0.6 [24.9~149.4]	0.1~0.8 [24.9~199.2]
Noise level		dB(A)	56	60
Fan type / Drive type			Centrifugal / Belt	Centrifugal / Belt
Coil			Copper tube and aluminum fin	Copper tube and aluminum fin
Controller			Wired controller (Optional)	Wired controller (Optional)
Dimension	Net (WxHxD)	in. [mm]	44-7/8x28-3/8x57-1/8 [1,139x721x1,450]	44-7/8x28-3/8x57-1/8 [1,139x721x1,450]
	Packing (WxHxD)	in. [mm]	45-1/16x34-1/8x57-7/8 [1,145x867x1,470]	45-1/16x34-1/8x57-7/8 [1,145x867x1,470]
Net / Gross weight		lbs. [kg]	375 / 443 [170 / 201]	375 / 443 [170 / 201]

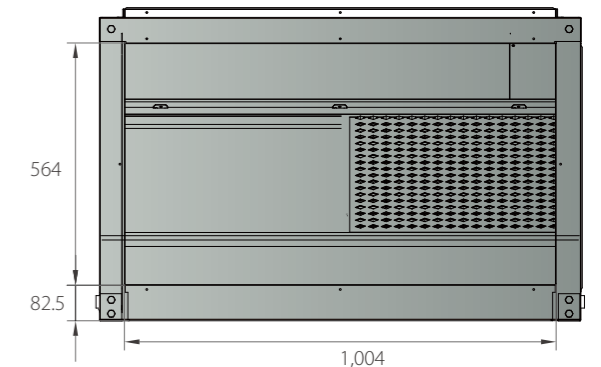
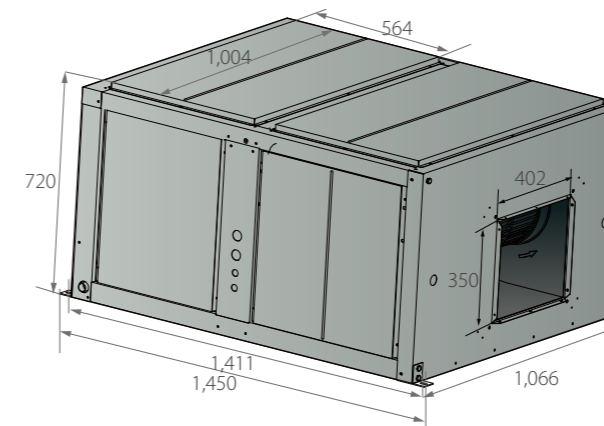
Outdoor unit model			MOV-90CN1-D	MOV-120CN1-D
Outdoor unit power supply			208~230V, 3Ph~, 60Hz	208~230V, 3Ph~, 60Hz
Max. power input		W	16,70 (Outdoor unit)	18,200 (Outdoor unit)
Max. current		A	44.4 (Outdoor unit)	53.1 (Outdoor unit)
Noise level		dB(A)	69	70
Compressor (Type / Quantity)			Scroll / 1	Scroll / 1
Refrigerant (Type / Charged)			R410A / 14.3 lbs [6.5kg]	R410A / 16.5 lbs [7.5kg]
Fan type / Drive type			Axial / Direct	Axial / Direct
Coil			Copper tube and aluminum fin	Copper tube and aluminum fin
Refrigerant piping size		in. [mm]	3/8 (Liquid), 1 (Gas) [Φ9.52 (Liquid), Φ25 (Gas)]	1/2 (Liquid), 1-1/8 (Gas) [Φ12.7 (Liquid), Φ28.6 (Gas)]
Dimension	Body (WxHxD)	in. [mm]	49-5/8x35-3/4x27-1/2 [1,260x908x700]	49-5/8x35-3/4x27-1/2 [1,260x908x700]
	Packing (WxHxD)	in. [mm]	52x41-3/4x28-3/4 [1,320x1,060x730]	52x41-3/4x28-3/4 [1,320x1,060x730]
Net / Gross weight		lbs. [kg]	412 / 450 [187 / 204]	439 / 474 [199 / 215]

### Notes:

- Cooling capacity test condition: Outdoor ambient temperature: 95°F (35°C), indoor temperature 80.6°F (27°C) DB / 66.2°F (19°C) WB; refrigerant pipe length between indoor unit and outdoor unit is 7.5m.
- Specifications are subject to change without prior notice for product improvement.

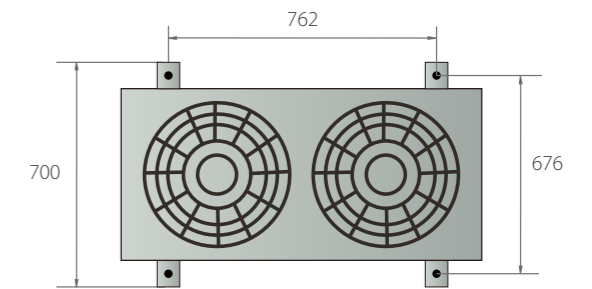
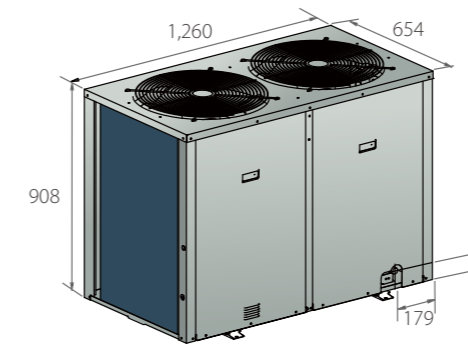
## Dimensions

T1 application, commercial air handler, 220V 3Ph~ 60Hz  
Indoor unit: MVA-90CWN1-V, MVA-120CWN1-V  
(Units: mm)

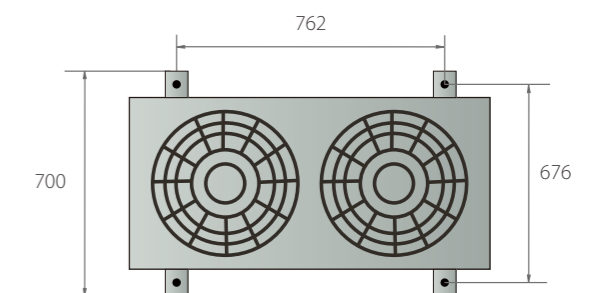
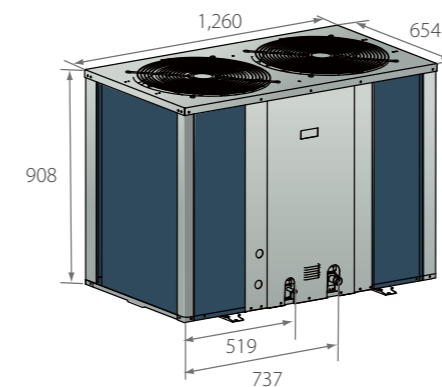


Air intake side

T1 application, commercial air handler, 208-230V 3Ph~ 60Hz  
Outdoor unit: MOV-90CN1-D  
Units: mm



T1 application, commercial air handler, 208-230V 3Ph~ 60Hz  
Outdoor unit: MOV-120CN1-D  
Units: mm



# Duct Indoor Unit Series



## Duct Indoor Unit

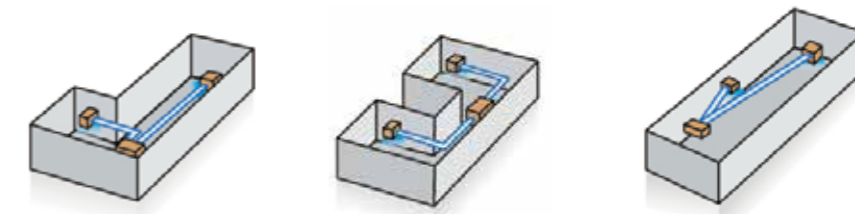


### Convenient installation

- ❖ Compact design. Concealed installation without floor space requirement.
- ❖ Hidden in the ceiling, unit installation is not hindered by the location of lighting fixtures or room structure.
- ❖ Air inlet & outlet flange are standard for easy duct connection.
- ❖ Easy maintenance through the inspection port.

### Free air duct design

- ❖ Multi diffusers from one indoor unit, air-conditioned multi rooms at the same time.
- ❖ Three speeds of air supply can be chosen via controller.
- ❖ The indoor unit is suitable for various applications where there are many rooms or halls, such as restaurant, concert halls and hotels.
- ❖ Flexible duct design for different room styles.



Auto Restart  
Function



Auto  
Defrosting



Independent  
Dehumidification



Timer



PTC  
Heater



Anti-Cold  
Air Function



Wired  
Controller

## Specifications

### T1 Application

Medium static pressure duct, heat pump



MTB-76HWN1  
MTB-120HWN1

Indoor unit model			MTB-76HWN1	MTB-120HWN1
Outdoor unit model / Quantity			MOV-76HN1-R / 1	MOV-120HN1-R / 1
Indoor unit power supply			220-240V, 1Ph~, 50Hz	220-240V, 1Ph~, 50Hz
Cooling	Capacity	Btu/h	76,000	120,000
		kW	22.3	35.0
	Input	kW	7.5	11.9
	EER	W/W	2.97	2.94
Heating	Capacity	Btu/h	85,300	129,700
		kW	25.0	38.0
	Input	kW	8.3	12.7
COP	W/W	3.01	2.99	
Max. power input	W	1,300 (Indoor unit)	2,000 (Indoor unit)	
Max. current	A	5.2 (Indoor unit)	9.0 (Indoor unit)	
Air flow (Hi)	m <sup>3</sup> /h	4,250 (2,500CFM)	6,375 (3,750CFM)	
Standard external static pressure	Pa	100	100	
Noise level (Hi)	dB(A)	56	63	
Fan	Type	Centrifugal	Centrifugal	
	Drive type	Direct	Direct	
Coil		Copper tube and aluminum fin	Copper tube and aluminum fin	
Controller		Wired controller	Wired controller	
Dimension	Net (WxHxD)	mm	1,452x462x797	1,452x462x797
	Packing (WxHxD)	mm	1,555x500x875	1,555x500x875
Net / Gross weight	kg	94 / 106	97 / 109	

Notes:

- Cooling capacity test condition: Outdoor ambient temperature: 35°C, indoor temperature 27°C DB / 19°C WB; refrigerant pipe length between indoor unit and outdoor unit is 7.5m.
- Heating capacity test condition: Outdoor ambient temperature: 7°C DB / 6°C WB, indoor temperature 20°C DB / 15°C WB; refrigerant pipe length between indoor unit and outdoor unit is 7.5m.
- Specifications are subject to change without prior notice for product improvement.

## Specifications



MOV-76HN1-R



MOV-120HN1-R

Outdoor unit model			MOV-76HN1-R	MOV-120HN1-R
Outdoor unit power supply			380-415V, 3Ph~, 50Hz	380-415V, 3Ph~, 50Hz
Max. power input	kW		11.7 (Outdoor unit)	17.3 (Outdoor unit)
Max. current	A		19.3 (Outdoor unit)	28.6 (Outdoor unit)
Air flow rate	m <sup>3</sup> /h		12,500	13,000
Noise level	dB(A)		68	69
Compressor (Type / Quantity)			Scroll / 1	Scroll / 1
Refrigerant (Type / Quantity)			R410A / 5.4kg	R410A / 7.5kg
Fan type / Drive type			Axial / Direct	Axial / Direct
Coil			Copper tube and aluminum fin	Copper tube and aluminum fin
Refrigerant piping size		mm	Φ9.52 (Liquid), Φ22 (Gas)	Φ12.7 (Liquid), Φ28.6 (Gas)
Ambient temperature	Cooling	°C	17~46	17~46
	Heating	°C	-7~24	-7~24
Dimension	Body (WxHxD)	mm	1,260x908x700	1,260x908x700
	Packing (WxHxD)	mm	1,320x1,060x730	1,320x1,060x730
Net / Gross weight	kg		174 / 193	201 / 217

Notes:

- Cooling capacity test condition: Outdoor ambient temperature: 35°C, indoor temperature 27°C DB / 19°C WB; refrigerant pipe length between indoor unit and outdoor unit is 7.5m.
- Heating capacity test condition: Outdoor ambient temperature: 7°C DB / 6°C WB, indoor temperature 20°C DB / 15°C WB; refrigerant pipe length between indoor unit and outdoor unit is 7.5m.
- Specifications are subject to change without prior notice for product improvement.

## Specifications

### T1 Application

High static pressure duct, heat pump



MHB-76HWN1



MHA-150HWN1  
MHA-192HWN1

Indoor unit model			MHB-76HWN1	MHA-150HWN1	MHA-192HWN1
Outdoor unit model / Quantity			MOV-76HN1-R / 1	MOV-150HN1-R / 1	MOV-192HN1-R / 1
Indoor unit power supply			220-240V, 1Ph~, 50Hz		
Cooling	Capacity	Btu/h	76,000	150,100	192,000
		kW	22.3	44.0	56.3
	Input	kW	7.5	16.3	22.0
	EER	W/W	2.97	2.70	2.56
Heating	Capacity	Btu/h	85,300	160,300	200,000
		kW	25.0	47.0	58.6
	Input	kW	8.3	15.7	19.3
	COP	W/W	3.01	2.99	3.04
Max. power input		W	1,300 (Indoor unit)	2,730 (Indoor unit)	4,690 (Indoor unit)
Max. current		A	5.2 (Indoor unit)	12.1 (Indoor unit)	20.9 (Indoor unit)
Air flow (Hi)		m <sup>3</sup> /h	4,250 (2,500CFM)	8,500 (5,000CFM)	10,800 (6,350CFM)
Standard external static pressure		Pa	196	196	196
Noise level (Hi)		dB(A)	56	63	65
Fan	Type		Centrifugal	Centrifugal	Centrifugal
	Drive type		Direct	Direct	Direct
Coil			Copper tube and aluminum fin	Copper tube and aluminum fin	Copper tube and aluminum fin
Controller			Wired controller	Wired controller	Wired controller
Dimension	Net (WxHxD)	mm	1,452x462x797	1,988x669x906	1,988x669x906
	Packing (WxHxD)	mm	1,555x500x875	2,095x800x964	2,095x800x964
Net / Gross weight		kg	94 / 106	208 / 220	215 / 230

Notes:

- Cooling capacity test condition: Outdoor ambient temperature: 35°C, indoor temperature 27°C DB / 19°C WB; refrigerant pipe length between indoor unit and outdoor unit is 7.5m.
- Heating capacity test condition: Outdoor ambient temperature: 7°C DB / 6°C WB, indoor temperature 20°C DB / 15°C WB; refrigerant pipe length between indoor unit and outdoor unit is 7.5m.
- Specifications are subject to change without prior notice for product improvement.

## Specifications



MOV-76HN1-R



MOV-150HN1-R



MOV-192HN1-R

Outdoor unit model			MOV-76HN1-R	MOV-150HN1-R	MOV-192HN1-R
Outdoor unit power supply			380-415V, 3Ph~, 50Hz		
Max. power input		kW	11.7 (Outdoor unit)	26.9 (Outdoor unit)	32.2 (Outdoor unit)
Max. current		A	19.3 (Outdoor unit)	47.9 (Outdoor unit)	53.8 (Outdoor unit)
Air flow rate		m <sup>3</sup> /h	12,500	16,000	16,000
Noise level		dB(A)	68	70	73
Compressor (Type / Quantity)			Scroll / 1		
Refrigerant (Type / Quantity)			R410A / 5.4kg		
Fan type / Drive type			Axial / Direct		
Coil			Copper tube and aluminum fin		
Refrigerant piping size		mm	Φ9.52 (Liquid), Φ22 (Gas)	Φ16 (Liquid), Φ32 (Gas)	Φ16 (Liquid), Φ35 (Gas)*
Ambient temperature	Cooling	°C	17~46	17~46	17~46
	Heating	°C	-7~24	-7~24	-7~24
Dimension	Body (WxHxD)	mm	1,260x908x700	1,250x1,615x765	1,390x1,615x765
	Packing (WxHxD)	mm	1,320x1,060x730	1,305x1,790x820	1,455x1,790x830
Net / Gross weight		kg	174 / 193	288 / 308	320 / 336

Notes:

- Cooling capacity test condition: Outdoor ambient temperature: 35°C, indoor temperature 27°C DB / 19°C WB; refrigerant pipe length between indoor unit and outdoor unit is 7.5m.
- Heating capacity test condition: Outdoor ambient temperature: 7°C DB / 6°C WB, indoor temperature 20°C DB / 15°C WB; refrigerant pipe length between indoor unit and outdoor unit is 7.5m.
- Specifications are subject to change without prior notice for product improvement.

\*. The connection pipes between indoor and outdoor unit are Φ16/Φ35. The Φ32 stop valve of outdoor unit should be connected with the straight pipe packaged with outdoor unit to change to Φ35.

## Specifications

T1 Application  
DC inverter medium static pressure duct, heat pump  
DC inverter high static pressure duct, heat pump

MTA-96HWAN1  
MHA-96HWAN1



Model			MTA-96HWAN1	MHA-96HWAN1
Outdoor unit model / Quantity			MOUB-96HD1N1-R / 1	MOUB-96HD1N1-R / 1
Power supply			220-240V~, 1Ph, 50Hz	220-240V~, 1Ph, 50Hz
Cooling	Capacity	Btu/h	/	/
		kW	26	26.0
	Input	kW	11.3	11.6
	EER	W/W	2.3	2.24
	SEER	W/W	2.87	2.91
Heating	Capacity	Btu/h	/	/
		kW	30	30
	Input	kW	10	10.2
	COP	W/W	3	2.94
Max. power input		W	14000 (Whole unit)	14000 (Whole unit)
Max. current		A	29 (Whole unit)	29 (Whole unit)
Air flow (H)		m <sup>3</sup> /h	4400	4600
External static pressure		Pa	100Pa	50 ~ 200
Noise level (H)		dB(A)	55	55
Fan	Type	/	Centrifugal	Centrifugal
	Drive type	/	Direct	Direct
Coil		/	Copper tube and aluminum fin	Copper tube and aluminum fin
Controller		/	Wired controller	Wired controller
Refrigerant pipe	Liquid	mm	Φ9.53	Φ9.52
	Gas	mm	Φ22.2	Φ22
Dimension	Body (WxHxD)	mm	1366x450x722	1,366x450x722
	Packing (WxHxD)	mm	1555x500x875	1,555x500x875
Net / Gross weight		kg	85/94	90/99

Notes:

- T1 cooling capacity test condition: Outdoor ambient temperature: 35°C, indoor temperature 27°C DB / 19°C WB; refrigerant pipe length between indoor unit and outdoor unit is 7.5m.
- Heating capacity test condition: Outdoor ambient temperature: 7°C DB / 6°C WB, indoor temperature 20°C DB / 15°C WB; refrigerant pipe length between indoor unit and outdoor unit is 7.5m.
- Specifications are subject to change without prior notice for product improvement.

## Specifications

MOUB-96HD1N1-R



Model			MOUB-96HD1N1-R
Outdoor unit power supply			380-415V~, 3Ph, 50Hz
Max. power input		kW	12.4 (Outdoor unit)
Max. current		A	24.1 (Outdoor unit)
Noise level		dB(A)	60
Air flow		m <sup>3</sup> /h	11,000
Compressor	Type	/	Rotary
	Quantity	/	1
Rdfrigerant	Type	/	R410A
	Quantity	/	6kg
Fan type		/	Axial fan
Coil		/	Copper tube and aluminum fin
Refrigerant pipe	Liquid	mm	Φ9.52
	Gas	mm	Φ22
Ambient temperature	Cooling	°C	10~55
	Heating	°C	-15~27
Dimension	Body (WxHxD)	mm	1,120x1,558x400
	Packing (WxHxD)	mm	1,270x1,575x480
Net / Gross weight		kg	142/164

## Specifications

T1 Application  
 DC inverter medium static pressure duct, cooling only  
 DC inverter high static pressure duct, cooling only  
 MTA-96CWDN1  
 MTA-76CWDN1  
 MHA-96CWDN1  
 MHA-76CWDN1



Indoor unit model/ Quantity			MTA-96CWDN1	MTA-76CWDN1	MHA-96CWDN1	MHA-76CWDN1
Outdoor unit model / Quantity			MOUC-96CDN1-R/1	MOUC-76CDN1-R/1	MOUC-96CDN1-R/1	MOUC-76CDN1-R/1
Indoor unit power supply			220-240V, 1Ph~, 50Hz	220-240V, 1Ph~, 50Hz	220-240V, 1Ph~, 50Hz	220-240V, 1Ph~, 50Hz
Cooling	Capacity	kW	28.8	23.5	28.8	23.5
	Input	kW	13.9	11.2	14.4	11.5
	EER	W/W	2.07	2.1	2	2.04
	SEER	W/W	3.1	3.3	3.1	3.2
Max. power input		W	1000 (Indoor unit)	1000 (Indoor unit)	1200 (Indoor unit)	1200 (Indoor unit)
Air flow		m³/h	4400	4400	4600	4600
Standard external static pressure		Pa	100Pa (50-150pa)	100Pa (50-150pa)	150Pa (50-196pa)	150Pa (50-196pa)
Noise level		dB(A)	55/53/51	55/53/51	55/53/51	55/53/51
Fan	Type		Centrifugal	Centrifugal	Centrifugal	Centrifugal
	Drive type		Direct	Direct	Direct	Direct
Coil			Copper tube and aluminum fin			
Controller			Wired controller	Wired controller	Wired controller	Wired controller
Refrigerant pipe	Liquid	mm	Φ9.53	Φ9.53	Φ9.53	Φ9.53
	Gas	mm	Φ22.2	Φ22.2	Φ22.2	Φ22.2
Dimension	Net (WxHxD)	mm	1366x450x722	1366x450x722	1366x450x722	1366x450x722
	Packing (WxHxD)	mm	1555x500x875	1555x500x875	1555x500x875	1555x500x875
Net/Gross weight		kg	85/94	85/94	90/99	90/99

## Specifications

MOUC-96CDN1-R  
 MOUC-76CDN1-R



Outdoor unit model			MOUC-96CDN1-R	MOUC-76CDN1-R
Outdoor unit power supply			380-415V, 3Ph~, 50Hz	380-415V, 3Ph~, 50Hz
Max. power input	kW		14 (Outdoor unit)	14 (Outdoor unit)
Max. current	A		32 (Outdoor unit)	32 (Outdoor unit)
Air flow rate	m³/h		7150	7150
Noise level	dB(A)		62	62
Compressor	Type	/	Rotary	Rotary
	Quantity	/	1	1
Refrigerant	Type	/	R410A	R410A
	Quantity	Kg	3.9	3.9
Fan type / Drive type		/	Axial fan/Direct	Axial fan/Direct
Coil			Copper tube and aluminum fin	
Refrigerant piping size	Liquid	mm	Φ9.53	Φ9.53
	Gas	mm	Φ22.2	Φ22.2
Ambient temperature	Cooling	°C	10-55	10-55
Dimension	Body (WxHxD)	mm	900x1325x370	900x1325x370
	Packing (WxHxD)	mm	1030x1456x435	1030x1456x435
Net / Gross weight		kg	115/125	115/125



## Specifications

T1 Application  
 DC inverter medium static pressure duct, cooling only  
 DC inverter high static pressure duct, cooling only  
 MTA-96CWDN1-V  
 MTA-76CWDN1-V  
 MHA-96CWDN1-V  
 MHA-76CWDN1-V



Indoor unit model/ Quantity			MTA-96CWDN1-V	MTA-76CWDN1-V	MHA-96CWDN1-V	MHA-76CWDN1-V
Outdoor unit model / Quantity			MOUC-96CDN1-C/1	MOUC-76CDN1-C/1	MOUC-96CDN1-C/1	MOUC-76CDN1-C/1
Indoor unit power supply			220-240V, 1Ph~, 60Hz	220-240V, 1Ph~, 60Hz	220-240V, 1Ph~, 60Hz	220-240V, 1Ph~, 60Hz
Cooling	Capacity	kW	28.8	23.5	28.8	23.5
	Input	kW	13.9	11.2	14.4	11.5
	EER	W/W	2.07	2.1	2	2.04
	SEER	W/W	3.1	3.3	3.1	3.2
Max. power input		W	1000 (Indoor unit)	1000 (Indoor unit)	1200 (Indoor unit)	1200 (Indoor unit)
Air flow		m <sup>3</sup> /h	4400	4400	4600	4600
Standard external static pressure		Pa	100Pa (50-150pa)	100Pa (50-150pa)	150Pa (50-196pa)	150Pa (50-196pa)
Noise level		dB(A)	55/53/51	55/53/51	55/53/51	55/53/51
Fan	Type		Centrifugal	Centrifugal	Centrifugal	Centrifugal
	Drive type		Direct	Direct	Direct	Direct
Coil			Copper tube and aluminum fin			
Controller			Wired controller	Wired controller	Wired controller	Wired controller
Refrigerant pipe	Liquid	mm	Φ9.53	Φ9.53	Φ9.53	Φ9.53
	Gas	mm	Φ22.2	Φ22.2	Φ22.2	Φ22.2
Dimension	Net (WxHxD)	mm	1366x450x722	1366x450x722	1366x450x722	1366x450x722
	Packing (WxHxD)	mm	1555x500x875	1555x500x875	1555x500x875	1555x500x875
Net/Gross weight		kg	85/94	85/94	90/99	90/99

## Specifications

MOUC-96CDN1-C  
 MOUC-76CDN1-C



Outdoor unit model			MOUC-96CDN1-C	MOUC-76CDN1-C
Outdoor unit power supply			380-415V, 3Ph~, 60Hz	380-415V, 3Ph~, 60Hz
Max. power input	kW		14 (Outdoor unit)	14 (Outdoor unit)
Max. current	A		32 (Outdoor unit)	32 (Outdoor unit)
Air flow rate	m <sup>3</sup> /h		7500	7500
Noise level	dB(A)		62	62
Compressor	Type	/	Rotary	Rotary
	Quantity	/	1	1
Refrigerant	Type	/	R410A	R410A
	Quantity	Kg	3.9	3.9
Fan type / Drive type		/	Axial fan/Direct	Axial fan/Direct
Coil			Copper tube and aluminum fin	
Refrigerant piping size	Liquid	mm	Φ9.53	Φ9.53
	Gas	mm	Φ22.2	Φ22.2
Ambient temperature	Cooling	°C	10-55	10-55
Dimension	Body (WxHxD)	mm	900x1325x370	900x1325x370
	Packing (WxHxD)	mm	1030x1456x435	1030x1456x435
Net / Gross weight		kg	115/125	115/125

## Specifications

T1 Application  
DC inverter high static pressure duct, heat pump  
(RCM certification of Australia)

MHC1-76HWD1N1  
MHC-96HWD1N1



Model			MHC1-76HWD1N1	MHC-96HWD1N1
Outdoor unit model / Quantity			MOVG1-76HD1N1-R / 1	MOVG-96HD1N1-R / 1
Power supply			220-240V~, 1Ph, 50Hz	
Cooling	Capacity	Btu/h	/	102,300
		kW	25.0	30.0
	Input	kW	7.50	9.80
	EER	W/W	3.23	3.23
Heating	Capacity	Btu/h	/	102,300
		kW	25.0	30.0
	Input	kW	7.5	9.8
	COP	W/W	3.23	3.31
Max. power input		W	650 (Indoor unit)	850 (Indoor unit)
Max. current		A	4 (Indoor unit)	4.5 (Indoor unit)
Air flow (H)		m <sup>3</sup> /h	4500	5000
External static pressure		Pa	0 ~ 200	0 ~ 200
Noise level (H)		dB(A)	56	56
Fan	Type	/	Centrifugal	Centrifugal
	Drive type	/	Direct	Direct
Coil		/	Copper tube and aluminum fin	
Controller		/	Wired controller	Wired controller
Refrigerant pipe	Liquid	mm	Φ12.7	Φ12.7
	Gas	mm	Φ28.6	Φ28.6
Dimension	Body (WxHxD)	mm	1,470x510x795	1,470x510x795
	Packing (WxHxD)	mm	1,555x545x875	1,555x545x875
Net / Gross weight		kg	83 / 94	83 / 92

Notes:

- T1 cooling capacity test condition: Outdoor ambient temperature: 35°C, indoor temperature 27°C DB / 19°C WB; refrigerant pipe length between indoor unit and outdoor unit is 7.5m.
- Heating capacity test condition: Outdoor ambient temperature: 7°C DB / 6°C WB, indoor temperature 20°C DB / 15°C WB; refrigerant pipe length between indoor unit and outdoor unit is 7.5m.
- Specifications are subject to change without prior notice for product improvement.

## Specifications

MOVG1-76HD1N1-R  
MOVG-96HD1N1-R



Model			MOVG1-76HD1N1-R	MOVG-96HD1N1-R
Outdoor unit power supply			380-415V~, 3Ph, 50Hz	
Max. power input		kW	8 (Whole unit)	9.25 (Whole unit)
Max. current		A	16 (Outdoor unit)	16 (Outdoor unit)
Noise level		dB(A)	66	66
Air flow		m <sup>3</sup> /h	13,500	13,500
Compressor	Type	/	Inverter scroll	Inverter scroll
	Quantity	/	1	1
Rdfrigerant	Type	/	R410A	R410A
	Quantity	/	9.0kg	10.0kg
Fan type		/	Axial fan	Axial fan
Coil		/	Copper tube and aluminum fin	
Refrigerant pipe	Liquid	mm	Φ12.7	Φ12.7
	Gas	mm	Φ28.6	Φ28.6
Ambient temperature	Cooling	°C	-15~48	-15~48
	Heating	°C	-15~24	-15~24
Dimension	Body (WxHxD)	mm	948x1,585x968	948x1,585x968
	Packing (WxHxD)	mm	1,010x1,705x1,000	1,010x1,705x1,000
Net / Gross weight		kg	231 / 242	231 / 256

Notes:

- T1 cooling capacity test condition: Outdoor ambient temperature: 35°C, indoor temperature 27°C DB / 19°C WB; refrigerant pipe length between indoor unit and outdoor unit is 7.5m.
- Heating capacity test condition: Outdoor ambient temperature: 7°C DB / 6°C WB, indoor temperature 20°C DB / 15°C WB; refrigerant pipe length between indoor unit and outdoor unit is 7.5m.
- Specifications are subject to change without prior notice for product improvement.

## Specifications

### T1 Application

DC inverter high static pressure duct, heat pump

MHC-75HWD1N1(A)

MHC-96HWD1N1(A)



Model			MHC-75HWD1N1(A)	MHC-96HWD1N1(A)
Outdoor unit model / Quantity			MOUA-75HD1N1-R / 1	MOUA-96HD1N1-R / 1
Power supply			220-240V~, 1Ph, 50Hz	
Cooling	Capacity	Btu/h	/	95,500
		kW	22.4	28.0
	Input	kW	7.20	9.00
	EER	W/W	3.11	3.11
Heating	Capacity	Btu/h	/	107,000
		kW	24.5	31.5
	Input	kW	6.6	8.50
	COP	W/W	3.17	3.71
Max. power input		W	850 (Indoor unit)	850 (Indoor unit)
Max. current		A	4.5 (Indoor unit)	4.5 (Indoor unit)
Air flow (H)		m <sup>3</sup> /h	4800	4800
External static pressure		Pa	0 ~ 150	0 ~ 150
Noise level (H)		dB(A)	52	52
	Type	/	Centrifugal	Centrifugal
	Drive type	/	Direct	Direct
		/	Copper tube and aluminum fin	
Controller		/	Wired controller	Wired controller
Refrigerant pipe	Liquid	mm	Φ9.52	Φ9.52
	Gas	mm	Φ25.4	Φ25.4
Dimension	Body (WxHxD)	mm	1,470x512x775	1,470x512x775
	Packing (WxHxD)	mm	1,555x545x875	1,555x545x875
Net / Gross weight		kg	83 / 92	83 / 92

Notes:

1. T1 cooling capacity test condition: Outdoor ambient temperature: 35°C, indoor temperature 27°C DB / 19°C WB; refrigerant pipe length between indoor unit and outdoor unit is 7.5m.
2. Heating capacity test condition: Outdoor ambient temperature: 7°C DB / 6°C WB, indoor temperature 20°C DB / 15°C WB; refrigerant pipe length between indoor unit and outdoor unit is 7.5m.
3. Specifications are subject to change without prior notice for product improvement.

## Specifications

MOUA-75HD1N1-R

MOUA-96HD1N1-R



Model			MOUA-75HD1N1-R	MOUA-96HD1N1-R
Outdoor unit power supply			380-415V~, 3Ph, 50Hz	
Max. power input	kW		11.1 (Whole unit)	11.7 (Whole unit)
Max. current	A		15 (Outdoor unit)	16 (Outdoor unit)
Noise level	dB(A)		58	59
Air flow	m <sup>3</sup> /h		9,400	9,800
Compressor	Type	/	Rotary	Rotary
	Quantity	/	1	1
Rdfrigerant	Type	/	R410A	R410A
	Quantity	/	7.2kg	7.2kg
Fan type	/		Axial fan	Axial fan
Coil	/		Copper tube and aluminum fin	
Refrigerant pipe	Liquid	mm	Φ9.52	Φ9.52
	Gas	mm	Φ25.4	Φ25.4
Ambient temperature	Cooling	°C	-15~48	-15~48
	Heating	°C	-15~24	-15~24
Dimension	Body (WxHxD)	mm	1,120x1,558x528	1,120x1,558x528
	Packing (WxHxD)	mm	1,270x1,720x565	1,270x1,720x565
Net / Gross weight		kg	147 / 163	148 / 164

Notes:

1. T1 cooling capacity test condition: Outdoor ambient temperature: 35°C, indoor temperature 27°C DB / 19°C WB; refrigerant pipe length between indoor unit and outdoor unit is 7.5m.
2. Heating capacity test condition: Outdoor ambient temperature: 7°C DB / 6°C WB, indoor temperature 20°C DB / 15°C WB; refrigerant pipe length between indoor unit and outdoor unit is 7.5m.
3. Specifications are subject to change without prior notice for product improvement.

## Specifications

### Tropical (T3) Application

Medium static pressure duct, heat pump



MTA-76HRN1



MTB1T-96HWN1



MTA-120HRN1

Indoor unit model			MTA-76HRN1	MTB1T-96HWN1	MTA-120HRN1
Outdoor unit model / Quantity			MOV-76HN1-C / 1	MOVTA-96HN1-R / 1	MOV-120HN1-C / 1
Indoor unit power supply			220-240V, 1Ph~, 50Hz	220-240V, 1Ph~, 50Hz	220-240V, 1Ph~, 50Hz
Cooling	Capacity (T1/T3)	Btu/h	75,100 / 64,100	96,000 / 87,860	119,400 / 102,400
		kW	22.0 / 18.8	28.1 / 25.75	35.0 / 30.0
	Input (T1/T3)	kW	7.5 / 8.85	9.6 / 15.00	12.0 / 13.25
	EER (T1)	W/W	2.93	2.93	2.92
Heating	Capacity	Btu/h	85,000	106,000	130,000
		kW	25.0	31.1	38.0
	Input	kW	8.3	10.3	12.6
	COP	W/W	3.01	3.02	3.02
Max. power input	W	11,700 (Whole units)	1,400 (IDU)	17,300 (Whole units)	
Max. current	A	19.3 (Whole units)	5.8 (IDU)	28.6 (Whole units)	
Air flow (Hi)	m³/h	4,250 (2,500CFM)	5,100 (3,000CFM)	6,375 (3,750CFM)	
Standard external static pressure	Pa	100	100	150	
Noise level (Hi)	dB(A)	58	56	63	
Fan type / Drive type			Centrifugal / Direct	Centrifugal / Direct	Centrifugal / Direct
Coil			Copper tube and aluminum fin	Copper tube and aluminum fin	Copper tube and aluminum fin
Controller			Wireless controller	Wired controller	Wireless controller
Dimension	Net (WxHxD)	mm	1,443x450x846	1452x462x797	1,988x669x906
	Packing (WxHxD)	mm	1,549x476x917	1,555x500x875	2,095x800x964
Net / Gross weight	kg	105 / 120	97 / 109	188 / 220	

#### Notes:

- T1 cooling capacity test condition: Outdoor ambient temperature: 35°C, indoor temperature 27°C DB / 19°C WB; refrigerant pipe length between indoor unit and outdoor unit is 7.5m.
- T3 cooling capacity test condition: Outdoor ambient temperature: 46°C, indoor temperature 29°C DB / 19°C WB; refrigerant pipe length between indoor unit and outdoor unit is 7.5m.
- Heating capacity test condition: Outdoor ambient temperature: 7°C DB / 6°C WB, indoor temperature 20°C DB / 15°C WB; refrigerant pipe length between indoor unit and outdoor unit is 7.5m.
- Specifications are subject to change without prior notice for product improvement.

## Specifications



MOV-76HN1-C  
MOVTA-96HN1-R



MOV-120HN1-C

Outdoor unit model			MOV-76HN1-C	MOVTA-96HN1-R	MOV-120HN1-C
Outdoor unit power supply			380-415V, 3Ph~, 50Hz	380-415V, 3Ph~, 50Hz	380-400V, 3Ph~, 50Hz
Max. power input	kW		11.7 (Whole units)	14.4 (ODU)	17.3 (Whole units)
Max. current	A		19.3 (Whole units)	23.7 (ODU)	28.6 (Whole units)
Air flow rate	m³/h		12,500	12,500	13,000
Noise level	dB(A)		65	68	69
Compressor(Type / Quantity)			Scroll / 1	Scroll / 1	Scroll / 1
Refrigerant(Type / Quantity)			R410A / 5.4kg	R410A / 6.0kg	R410A / 7.2kg
Fan type / Drive type			Axial / Direct	Axial / Direct	Axial / Direct
Coil			Copper tube and aluminum fin	Copper tube and aluminum fin	Copper tube and aluminum fin
Refrigerant piping size		mm	Φ9.52(Liquid), Φ22(Gas)	Φ12.7(Liquid), Φ25(Gas) #	Φ12.7(Liquid), Φ28.6(Gas)
Ambient temperature	Cooling	°C	17~52	17~52	17~52
	Heating	°C	-7~24	-7~24	-7~24
Dimension	Body (WxHxD)	mm	1,260x908x700	1,312x919x658	1,260x908x700
	Packing (WxHxD)	mm	1,320x1,060x730	1,320x1,060x730	1,320x1,060x730
Net / Gross weight		kg	174 / 193	177 / 192	201 / 217

#### Notes:

#. Connection piping diameter is the inlet and outlet pipe of the indoor unit and stop valves of outdoor unit. When the length of the refrigerant pipe between indoor and outdoor is not more than 30m, please connect the straight pipes as the accessory in indoor and outdoor unit with liquid pipe joints to change the diameter of liquid pipes to Φ9.52. When the length of the refrigerant pipe is more than 30m and less than 50m, please connect the straight pipe (prepared in site) with gas pipe joints to change the diameter of gas pipe to Φ28.1.

- T1 cooling capacity test condition: Outdoor ambient temperature: 35°C, indoor temperature 27°C DB / 19°C WB; refrigerant pipe length between indoor unit and outdoor unit is 7.5m.
- T3 cooling capacity test condition: Outdoor ambient temperature: 46°C, indoor temperature 29°C DB / 19°C WB; refrigerant pipe length between indoor unit and outdoor unit is 7.5m.
- Heating capacity test condition: Outdoor ambient temperature: 7°C DB / 6°C WB, indoor temperature 20°C DB / 15°C WB; refrigerant pipe length between indoor unit and outdoor unit is 7.5m.
- Specifications are subject to change without prior notice for product improvement.

## Specifications

### Tropical (T3) Application

Medium static pressure duct, cooling only



MTA-76CRN1



MTB1T-96CWN1



MTA-120CRN1



MTA-150CRN1

Indoor unit model			MTA-76CRN1	MTB1T-96CWN1	MTA-120CRN1	MTA-150CRN1
Outdoor unit model / Quantity			MOV-76CN1-C / 1	MOVTA-96CN1-R / 1	MOV-120CN1-C / 1	MOV-76CN1-C / 2
Indoor unit power supply			220-240V, 1Ph~, 50Hz	220-240V, 1Ph~, 50Hz	220-240V, 1Ph~, 50Hz	220-240V, 1Ph~, 50Hz
Cooling	Capacity (T1/T3)	Btu/h	75,100 / 64,100	96,000 / 87,860	119,400 / 102,400	150,100 / 130,300
		kW	22.0 / 18.8	28.1 / 25.75	35.0 / 30.0	44.0 / 38.2
	Input (T1/T3)	kW	7.5 / 8.85	9.6 / 15.0	12.0 / 13.25	15.1 / 18.00
	EER (T1)	W/W	2.93	2.93	2.92	2.91
Heating	Capacity	Btu/h	-	-	-	-
		kW	-	-	-	-
	Input	kW	-	-	-	-
	COP	W/W	-	-	-	-
Max. power input	kW	11.7 (Whole units)	1.4 (IDU)	17.3 (Whole units)	21.2 (Whole units)	
Max. current	A	19.3 (Whole units)	5.8 (IDU)	28.6 (Whole units)	35.0 (Whole units)	
Air flow (Hi)	m <sup>3</sup> /h	4,250 (2,500CFM)	5,100 (3,000CFM)	6,375 (3,750CFM)	7,650 (4,500CFM)	
Standard external static pressure	Pa	100	100	150	150	
Noise level (Hi)	dB(A)	58	56	63	68	
Fan type / Drive type		Centrifugal / Direct	Centrifugal / Direct	Centrifugal / Direct	Centrifugal / Direct	
Coil		Copper tube and aluminum fin	Copper tube and aluminum fin	Copper tube and aluminum fin	Copper tube and aluminum fin	
Controller		Wireless controller	Wired controller	Wireless controller	Wireless controller	
Dimension	Net (WxHxD)	mm	1,443x450x846	1,452x462x797	1,988x669x906	1,988x669x906
	Packing (WxHxD)	mm	1,549x476x917	1,555x500x875	2,095x800x964	2,095x800x964
Net / Gross weight	kg	105 / 120	97 / 109	168 / 196	188 / 200	

#### Notes:

- T1 cooling capacity test condition: Outdoor ambient temperature: 35°C, indoor temperature 27°C DB / 19°C WB; refrigerant pipe length between indoor unit and outdoor unit is 7.5m.
- T3 cooling capacity test condition: Outdoor ambient temperature: 46°C, indoor temperature 29°C DB / 19°C WB; refrigerant pipe length between indoor unit and outdoor unit is 7.5m.
- Specifications are subject to change without prior notice for product improvement.

## Specifications



MOV-76CN1-C  
MOVTA-96CN1-R



MOV-120CN1-C

Outdoor unit model			MOV-76CN1-C	MOVTA-96CN1-R	MOV-120CN1-C
Outdoor unit power supply			380-415V, 3Ph~, 50Hz	380-415V, 3Ph~, 50Hz	380-400V, 3Ph~, 50Hz
Max. power input	kW		11.7 (Whole units)	14.4 (ODU)	17.3 (Whole units)
Max. current	A		19.3 (Whole units)	23.7 (ODU)	28.6 (Whole units)
Air flow rate	m <sup>3</sup> /h		12,500	12,500	13,000
Noise level	dB(A)		65	68	69
Compressor (Type / Quantity)			Scroll / 1	Scroll / 1	Scroll / 1
Refrigerant (Type / Charged)			R410A / 5.4kg	R410A / 6.0kg	R410A / 7.2kg
Fan type / Drive type			Axial / Direct	Axial / Direct	Axial / Direct
Coil			Copper tube and aluminum fin	Copper tube and aluminum fin	Copper tube and aluminum fin
Refrigerant piping size	mm		Φ9.52 (Liquid), Φ22 (Gas)	Φ12.7 (Liquid), Φ25 (Gas) #	Φ12.7 (Liquid), Φ28.6 (Gas)
Ambient temperature	°C		17~52	17~52	17~52
Dimension	Body (WxHxD)	mm	1,260x908x700	1,312x919x658	1,260x908x700
	Packing (WxHxD)	mm	1,320x1,060x730	1,320x1,060x730	1,320x1,060x730
Net / Gross weight	kg		171 / 190	168 / 183	199 / 215

#### Notes:

- Connection piping diameter is the inlet and outlet pipe of the indoor unit and stop valves of outdoor unit. When the length of the refrigerant pipe between indoor and outdoor is not more than 30m, please connect the straight pipes as the accessory in indoor and outdoor unit with liquid pipe joints to change the diameter of liquid pipes to Φ9.52. When the length of the refrigerant pipe is more than 30m and less than 50m, please connect the straight pipe (prepared in site) with gas pipe joints to change the diameter of gas pipe to Φ28.1.
- T1 cooling capacity test condition: Outdoor ambient temperature: 35°C, indoor temperature 27°C DB / 19°C WB; refrigerant pipe length between indoor unit and outdoor unit is 7.5m.
- T3 cooling capacity test condition: Outdoor ambient temperature: 46°C, indoor temperature 29°C DB / 19°C WB; refrigerant pipe length between indoor unit and outdoor unit is 7.5m.
- Specifications are subject to change without prior notice for product improvement.

## Specifications

Tropical (T3) application

Medium static pressure duct, cooling only

Outdoor unit power supply: 208-230V, 3Ph, 60Hz



MTA1-96CQN1



MTA1-120CQN1



MTA1-180CQN1  
MTA1-240CQN1

Indoor unit model			MTA1-96CQN1	MTA1-120CQN1
Outdoor unit model / Quantity			MOV-96CN1-X / 1	MOV-120CN1-X / 1
Indoor unit power supply			208~230V, 1Ph~, 60Hz	
Cooling	Capacity (T1/T3)	Btu/h	95,600 / 90,400	119,400 / 90,400
		kW	28.0 / 26.50	35.0 / 29.50
	Input (T1/T3)	kW	9.6 / 11.92	12.0 / 14.50
		EER (T1)	W/W	2.92
Max. power input		W	1,700 (Indoor unit)	1,900 (Indoor unit)
Max. current		A	8.4 (Indoor unit)	9.0 (Indoor unit)
Air flow (Hi)		m <sup>3</sup> /h	5,100 (3,000CFM)	6,375 (3,750CFM)
Standard external static pressure		Pa	100	150
Noise level		dB(A)	56	58
Fan type / Drive type			Centrifugal / Direct	Centrifugal / Direct
Coil			Copper tube and aluminum fin	Copper tube and aluminum fin
Controller			Remote controller	Remote controller
Dimension	Net (WxHxD)	mm	1,452x462x797	1,988x669x906
	Packing (WxHxD)	mm	1,555x500x875	2,095x800x964
Net / Gross weight		kg	96 / 108	188 / 220

Indoor unit model			MTA1-180CQN1	MTA1-240CQN1
Outdoor unit model / Quantity			MOV-96CN1-X / 2	MOV-120CN1-X / 2
Indoor unit power supply			208~230V, 1Ph~, 60Hz	
Cooling	Capacity (T1/T3)	Btu/h	179,100 / 166,800	238,840 / 209,800
		kW	52.5 / 48.94	70.0 / 61.50
	Input (T1/T3)	kW	18.1 / 22.01	24.0 / 30.50
		EER (T1)	W/W	2.90
Max. power input		W	2,500 (Indoor unit)	2,600 (Indoor unit)
Max. current		A	12.5 (Indoor unit)	13.0 (Indoor unit)
Air flow (Hi)		m <sup>3</sup> /h	10,000 (5,880CFM)	12,000 (7,060CFM)
Standard external static pressure		Pa	150	150
Noise level		dB(A)	60	60
Fan type / Drive type			Centrifugal / Direct	Centrifugal / Direct
Coil			Copper tube and aluminum fin	Copper tube and aluminum fin
Controller			Remote controller	Remote controller
Dimension	Net (WxHxD)	mm	1,988x669x906	1,988x669x906
	Packing (WxHxD)	mm	2,095x800x964	2,095x800x964
Net / Gross weight		kg	190 / 217	193 / 220

## Specifications



MOV-76CN1-X  
MOV-96CN1-X



MOV-120CN1-X

Outdoor unit model			MOV-96CN1-X	MOV-120CN1-X
Outdoor unit power supply			208~230V, 3Ph~, 60Hz	
Max. power input	W		16,700 (Outdoor unit)	18,200 (Outdoor unit)
Max. current	A		44.4 (Outdoor unit)	53.1 (Outdoor unit)
Air flow rate	m <sup>3</sup> /h		12,500	13,000
Noise level	dB(A)		69	70
Compressor (Type / Quantity)			Scroll / 1	Scroll / 1
Refrigerant (Type / Charged)			R410A / 6.5kg	R410A / 7.5kg
Fan type / Drive type			Axial / Direct	Axial / Direct
Coil			Copper tube and aluminum fin	Copper tube and aluminum fin
Refrigerant piping size	mm		Φ9.52 (Liquid), Φ22 (Gas)	Φ12.7 (Liquid), Φ25 (Gas)
Ambient temperature	°C		17~52	17~52
Dimension	Body (WxHxD)	mm	1,260x908x700	1,260x908x700
	Packing (WxHxD)	mm	1,320x1,060x730	1,320x1,060x730
Net / Gross weight		kg	187 / 204	199 / 215

Notes:

1. T1 Cooling capacity test condition: Outdoor ambient temperature: 35°C, indoor temperature 27°C DB / 19°C WB; refrigerant pipe length between indoor unit and outdoor unit is 7.5m.
2. T3 Cooling capacity test condition: Outdoor ambient temperature: 46°C, indoor temperature 29°C DB / 19°C WB; refrigerant pipe length between indoor unit and outdoor unit is 7.5m.
3. Specifications are subject to change without prior notice for product improvement.

## Specifications

Tropical (T3) Application

High static pressure duct, heat pump & cooling only



Heat pump:  
MHB-76HRN1  
Cooling only:  
MHB-76CRN1



Heat pump:  
MHB1T-96HWN1  
Cooling only:  
MHB1T-96CWN1

Indoor unit model			MHB-76HRN1	MHB1T-96HWN1	MHB-76CRN1	MHB1T-96CWN1
Outdoor unit model / Quantity			MOV-76HN1-C / 1	MOVTA-96HN1-R / 1	MOV-76CN1-C / 1	MOVTA-96CN1-R / 1
Indoor unit power supply			220-240V, 1Ph~, 50Hz	220-240V, 1Ph~, 50Hz	220-240V, 1Ph~, 50Hz	220-240V, 1Ph~, 50Hz
Cooling	Capacity (T1/T3)	Btu/h	75,100 / 64,100	96,000 / 87,860	75,100 / 64,100	96,000 / 87,860
		kW	22.0 / 18.8	28.1 / 25.75	22.0 / 18.8	28.1 / 25.75
	Input (T1/T3)	kW	7.5 / 8.85	9.6 / 15.00	7.5 / 8.85	9.6 / 15.00
	EER (T1)	W/W	2.93	2.93	2.93	2.93
Heating	Capacity	Btu/h	85,000	106,000	-	-
		kW	25.0	31.1	-	-
	Input	kW	8.3	10.3	-	-
	COP	W/W	3.01	3.02	-	-
Max. power input		kW	11.7 (Whole units)	1.4 (IDU)	11.7 (Whole units)	1.4 (IDU)
Max. current		A	19.3 (Whole units)	5.8 (IDU)	19.3 (Whole units)	5.8 (IDU)
Air flow (Hi)		m <sup>3</sup> /h	4,250 (2,500CFM)	5,100 (3,000CFM)	4,250 (2,500CFM)	5,100 (3,000CFM)
Standard external static pressure		Pa	196	196	196	196
Noise level (Hi)		dB(A)	58	56	58	56
Fan type / Drive type			Centrifugal / Direct	Centrifugal / Direct	Centrifugal / Direct	Centrifugal / Direct
Coil			Copper tube and aluminum fin	Copper tube and aluminum fin	Copper tube and aluminum fin	Copper tube and aluminum fin
Controller			Wireless controller	Wired controller	Wireless controller	Wired controller
Dimension	Net (WxHxD)	mm	1,443x450x846	1,452x462x797	1,443x450x846	1,452x462x797
	Packing (WxHxD)	mm	1,549x476x917	1,555x500x875	1,549x476x917	1,555x500x875
Net / Gross weight		kg	105 / 120	97 / 109	105 / 120	97 / 109

Notes:

- T1 cooling capacity test condition: Outdoor ambient temperature: 35°C, indoor temperature 27°C DB / 19°C WB; refrigerant pipe length between indoor unit and outdoor unit is 7.5m.
- T3 cooling capacity test condition: Outdoor ambient temperature: 46°C, indoor temperature 29°C DB / 19°C WB; refrigerant pipe length between indoor unit and outdoor unit is 7.5m.
- Specifications are subject to change without prior notice for product improvement.

## Specifications



Heat pump:  
MOV-76HN1-C MOVTA-96HN1-R  
Cooling only:  
MOV-76CN1-C MOVTA-96CN1-R

Outdoor unit model			MOV-76HN1-C	MOVTA-96HN1-R	MOV-76CN1-C	MOVTA-96CN1-R
Outdoor unit power supply			380-415V, 3Ph~, 50Hz	380-415V, 3Ph~, 50Hz	380-415V, 3Ph~, 50Hz	380-415V, 3Ph~, 50Hz
Max. power input	kW		11.7 (Whole units)	14.4 (ODU)	11.7 (Whole units)	14.4 (ODU)
Max. current	A		19.3 (Whole units)	23.7 (ODU)	19.3 (Whole units)	23.7 (ODU)
Air flow rate	m <sup>3</sup> /h		12,500	12,500	12,500	12,500
Noise level	dB(A)		65	68	65	68
Compressor(Type / Quantity)			Scroll / 1	Scroll / 1	Scroll / 1	Scroll / 1
Refrigerant(Type / Quantity)			R410A / 5.4kg	R410A / 6.0kg	R410A / 5.4kg	R410A / 6.0kg
Fan type / Drive type			Axial / Direct	Axial / Direct	Axial / Direct	Axial / Direct
Coil			Copper tube and aluminum fin	Copper tube and aluminum fin	Copper tube and aluminum fin	Copper tube and aluminum fin
Refrigerant piping size	mm		Φ9.52(Liquid), Φ22(Gas)	Φ12.7(Liquid), Φ25(Gas) #	Φ9.52(Liquid), Φ22(Gas)	Φ12.7(Liquid), Φ25(Gas) #
Ambient temperature			°C 17~52(Cooling) / -7~24(Heating)	17~52(Cooling) / -7~24(Heating)	17~52(Cooling)	17~52(Cooling)
Dimension	Body (WxHxD)	mm	1,260x908x700	1,312x919x658	1,260x908x700	1,312x919x658
	Packing (WxHxD)	mm	1,320x1,060x730	1,320x1,060x730	1,320x1,060x730	1,320x1,060x730
Net / Gross weight		kg	174 / 193	177 / 192	171 / 190	168 / 183

Notes:

- #. Connection piping diameter is the inlet and outlet pipe of the indoor unit and stop valves of outdoor unit. When the length of the refrigerant pipe between indoor and outdoor is not more than 30m, please connect the straight pipes as the accessory in indoor and outdoor unit with liquid pipe joints to change the diameter of liquid pipes to Φ9.52. When the length of the refrigerant pipe is more than 30m and less than 50m, please connect the straight pipe (prepared in site) with gas pipe joints to change the diameter of gas pipe to Φ28.1.
- T1 cooling capacity test condition: Outdoor ambient temperature: 35°C, indoor temperature 27°C DB / 19°C WB; refrigerant pipe length between indoor unit and outdoor unit is 7.5m.
  - T3 cooling capacity test condition: Outdoor ambient temperature: 46°C, indoor temperature 29°C DB / 19°C WB; refrigerant pipe length between indoor unit and outdoor unit is 7.5m.
  - Heating capacity test condition: Outdoor ambient temperature: 7°C DB / 6°C WB, indoor temperature 20°C DB / 15°C WB; refrigerant pipe length between indoor unit and outdoor unit is 7.5m.
  - Specifications are subject to change without prior notice for product improvement.

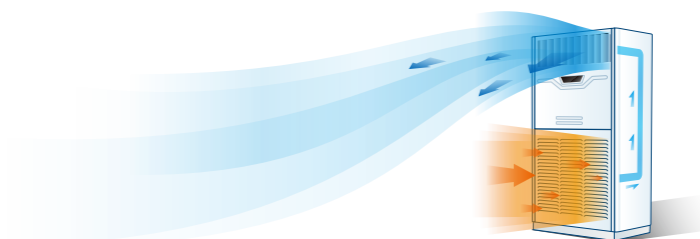
# Floor-standing Indoor Unit Series



## Floor-standing Indoor Unit



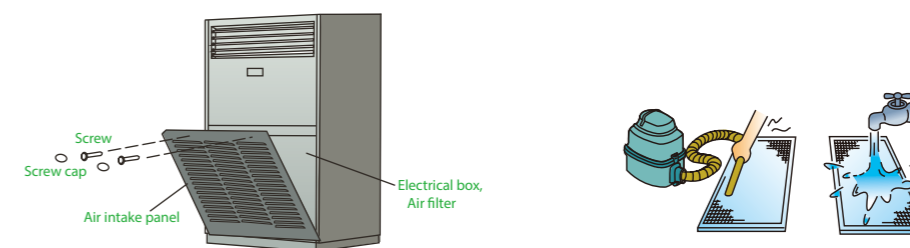
Strong wind, long distance air supply



Touch screen control



Washable inlet air filter



Anti-Cold Air Function



Auto Restart Function



Auto Defrosting



Independent Dehumidification



Timer



PTC Heater

Features: ■ Standard ■ Optional



# Specifications

T1 Application  
Heat pump



Indoor unit model			MFA2-76HRN1
Outdoor unit model / Quantity			MOV-76HN1-R / 1
Indoor unit power supply			220-240V, 1Ph~, 50Hz
Cooling	Capacity	Btu/h	76,000
		kW	22.3
	Input	kW	7.5
		EER	2.97
Heating	Capacity	Btu/h	85,300
		kW	25.0
	Input	kW	8.3
		COP	3.01
Max. power input		W	700 (Indoor unit)
Max. current		A	3.0 (Indoor unit)
Air flow (Hi)		m <sup>3</sup> /h	4,300 (2,530CFM)
Noise level		dB(A)	56
Fan type / Drive type			Centrifugal / Direct
Coil			Copper tube and aluminum fin
Controller			Remote controller
Dimension	Net (WxHxD)	mm	1,200x1,860x518
	Packing (WxHxD)	mm	1,362x2,050x582
Net / Gross weight		kg	130 / 145



Outdoor unit model			MOV-76HN1-R
Outdoor unit power supply			380-415V, 3Ph~, 50Hz
Max. power input		kW	11.7 (Outdoor unit)
Max. current		A	19.3 (Outdoor unit)
Air flow rate		m <sup>3</sup> /h	12,500
Noise level		dB(A)	68
Compressor (Type / Quantity)			Scroll / 1
Refrigerant (Type / Quantity)			R410A / 5.4kg
Fan type / Drive type			Axial / Direct
Coil			Copper tube and aluminum fin
Refrigerant piping size		mm	Φ9.52 (Liquid), Φ22 (Gas)
Ambient temperature		°C	17~46 (Cooling) / -7~24 (Heating)
Dimension	Body (WxHxD)	mm	1,260x908x700
	Packing (WxHxD)	mm	1,320x1,060x730
Net / Gross weight		kg	174 / 193

Notes:

- Cooling capacity test condition: Outdoor ambient temperature: 35°C, indoor temperature 27°C DB / 19°C WB; refrigerant pipe length between indoor unit and outdoor unit is 7.5m.
- Heating capacity test condition: Outdoor ambient temperature: 7°C DB / 6°C WB, indoor temperature 20°C DB / 15°C WB; refrigerant pipe length between indoor unit and outdoor unit is 7.5m.
- Specifications are subject to change without prior notice for product improvement.

# Specifications

T1 Application  
Heat pump



Indoor unit model			MFA-96HWAN1-R
Outdoor unit model / Quantity			MOUB-96HD1N1-R
Indoor unit power supply			220-240V, 1Ph~, 50Hz
Cooling	Capacity	Btu/h	/
		kW	28
	Input	kW	11
		EER	2.54
Heating	Capacity	Btu/h	/
		kW	30
	Input	kW	9.8
		COP	3
Max. power input		W	13000 (Whole unit)
Max. current		A	27 (Whole unit)
Air flow (Hi)		m <sup>3</sup> /h	4500
Noise level		dB(A)	60
Fan type / Drive type			Centrifugal / Direct
Coil			Copper tube and aluminum fin
Controller			Remote controller
Dimension	Net (WxHxD)	mm	1,200x1,860x420
	Packing (WxHxD)	mm	1,362x2,050x582
Net / Gross weight		kg	140 / 155



Outdoor unit model			MOUB-96HD1N1-R
Outdoor unit power supply			380-415V, 3Ph~, 50Hz
Max. power input		kW	12.4 (Outdoor unit)
Max. current		A	24.1 (Outdoor unit)
Air flow rate		m <sup>3</sup> /h	11,000
Noise level		dB(A)	60
Compressor (Type / Quantity)			Scroll / 1
Refrigerant (Type / Quantity)			R410A / 6kg
Fan type / Drive type			Axial / Direct
Coil			Copper tube and aluminum fin
Refrigerant piping size		mm	Φ9.52 (Liquid), Φ22 (Gas)
Ambient temperature		°C	10~55 (Cooling) / -15~27 (Heating)
Dimension	Body (WxHxD)	mm	1,120x1,558x400
	Packing (WxHxD)	mm	1,270x1,575x480
Net / Gross weight		kg	142 / 164

Notes:

- Cooling capacity test condition: Outdoor ambient temperature: 35°C, indoor temperature 27°C DB / 19°C WB; refrigerant pipe length between indoor unit and outdoor unit is 7.5m.
- Heating capacity test condition: Outdoor ambient temperature: 7°C DB / 6°C WB, indoor temperature 20°C DB / 15°C WB; refrigerant pipe length between indoor unit and outdoor unit is 7.5m.
- Specifications are subject to change without prior notice for product improvement.

## Specifications

T1 Application  
Cooling only



Indoor unit model/ Quantity			MFA-96CRDN1	MFA-76CRDN1
Outdoor unit model / Quantity			MOUC-96CDN1-R/1	MOUC-76CDN1-R/1
Panel / Quantity			/	/
Branch joint / Quantity			/	/
Indoor unit power supply			220-240V, 1Ph~, 50Hz	220-240V, 1Ph~, 50Hz
Cooling	Capacity	kW	29.5	23.5
	Input	kW	13.92	11
	EER	W/W	2.12	2.14
	SEER	W/W	3.3	3.4
Max. power input		W	600 (Indoor unit)	600 (Indoor unit)
Air flow		m <sup>3</sup> /h	4500	4500
Noise level		dB(A)	60/58/56	60/58/56
Fan	Type		Centrifugal	Centrifugal
	Drive type		Direct	Direct
Coil			Copper tube and aluminum fin	
Controller			Remote controller	Remote controller
Refrigerant pipe	Liquid	mm	Φ9.53	Φ9.53
	Gas	mm	Φ22.2	Φ22.2
Dimension	Net (WxHxD)	mm	1200x1860x420	1200x1860x420
	Packing (WxHxD)	mm	1362x2050x582	1362x2050x582
Net/Gross weight		kg	140 / 155	140 / 155



Outdoor unit model			MOUC-96CDN1-R	MOUC-76CDN1-R
Outdoor unit power supply			380-415V, 3Ph~, 50Hz	380-415V, 3Ph~, 50Hz
Max. power input		kW	14 (Outdoor unit)	14 (Outdoor unit)
Max. current		A	32 (Outdoor unit)	32 (Outdoor unit)
Air flow rate		m <sup>3</sup> /h	7150	7150
Noise level		dB(A)	62	62
Compressor	Type	/	Rotary	Rotary
	Quantity	/	1	1
Refrigerant	Type	/	R410A	R410A
	Quantity	Kg	3.9	3.9
Fan type / Drive type		/	Axial fan/Direct	Axial fan/Direct
Coil			Copper tube and aluminum fin	
Refrigerant piping size	Liquid	mm	Φ9.53	Φ9.53
	Gas	mm	Φ22.2	Φ22.2
Ambient temperature		°C	10-55	10-55
Dimension	Body (WxHxD)	mm	900x1325x370	900x1325x370
	Packing (WxHxD)	mm	1030x1456x435	1030x1456x435
Net / Gross weight		kg	115/125	115/125

Notes:

- T1 cooling capacity test condition: Outdoor ambient temperature: 35°C, indoor temperature 27°C DB / 19°C WB; refrigerant pipe length between indoor unit and outdoor unit is 7.5m.
- Heating capacity test condition: Outdoor ambient temperature: 7°C DB / 6°C WB, indoor temperature 20°C DB / 15°C WB; refrigerant pipe length between indoor unit and outdoor unit is 7.5m.
- Specifications are subject to change without prior notice for product improvement.

## Specifications – Indoor Units

T1 Application  
Cooling only



Indoor unit model/ Quantity			MFA-96CRDN1-V	MFA-76CRDN1-V
Outdoor unit model / Quantity			MOUC-96CDN1-C/1	MOUC-76CDN1-C/1
Panel / Quantity			/	/
Branch joint / Quantity			/	/
Indoor unit power supply			220-240V, 1Ph~, 60Hz	220-240V, 1Ph~, 60Hz
Cooling	Capacity	kW	29.5	23.5
	Input	kW	13.92	11
	EER	W/W	2.12	2.14
	SEER	W/W	3.3	3.4
Max. power input		W	600 (Indoor unit)	600 (Indoor unit)
Air flow		m <sup>3</sup> /h	4500	4500
Noise level		dB(A)	60/58/56	60/58/56
Fan	Type		Centrifugal	Centrifugal
	Drive type		Direct	Direct
Coil			Copper tube and aluminum fin	
Controller			Remote controller	Remote controller
Refrigerant pipe	Liquid	mm	Φ9.53	Φ9.53
	Gas	mm	Φ22.2	Φ22.2
Dimension	Net (WxHxD)	mm	1200x1860x420	1200x1860x420
	Packing (WxHxD)	mm	1362x2050x582	1362x2050x582
Net/Gross weight		kg	140 / 155	140 / 155



Outdoor unit model			MOUC-96CDN1-C	MOUC-76CDN1-C
Outdoor unit power supply			380-415V, 3Ph~, 60Hz	380-415V, 3Ph~, 60Hz
Max. power input		kW	14 (Outdoor unit)	14 (Outdoor unit)
Max. current		A	32 (Outdoor unit)	32 (Outdoor unit)
Air flow rate		m <sup>3</sup> /h	7500	7500
Noise level		dB(A)	62	62
Compressor	Type	/	Rotary	Rotary
	Quantity	/	1	1
Refrigerant	Type	/	R410A	R410A
	Quantity	Kg	3.9	3.9
Fan type / Drive type		/	Axial fan/Direct	Axial fan/Direct
Coil			Copper tube and aluminum fin	
Refrigerant piping size	Liquid	mm	Φ9.53	Φ9.53
	Gas	mm	Φ22.2	Φ22.2
Ambient temperature		°C	10-55	10-55
Dimension	Body (WxHxD)	mm	900x1325x370	900x1325x370
	Packing (WxHxD)	mm	1030x1456x435	1030x1456x435
Net / Gross weight		kg	115/125	115/125

Notes:

- T1 cooling capacity test condition: Outdoor ambient temperature: 35°C, indoor temperature 27°C DB / 19°C WB; refrigerant pipe length between indoor unit and outdoor unit is 7.5m.
- Heating capacity test condition: Outdoor ambient temperature: 7°C DB / 6°C WB, indoor temperature 20°C DB / 15°C WB; refrigerant pipe length between indoor unit and outdoor unit is 7.5m.
- Specifications are subject to change without prior notice for product improvement.

# Specifications

Tropical (T3) Application  
Heat pump



Indoor unit model			MFA-76HRN1	MFA3T-96HRN1
Outdoor unit model / Quantity			MOV-76HN1-C / 1	MOVTA-96HN1-R / 1
Indoor unit power supply			220-240V, 1Ph~, 50Hz	220-240V, 1Ph~, 50Hz
Cooling	Capacity (T1/T3)	Btu/h	75,100 / 64,800	96,000 / 87,860
		kW	22.0 / 19.0	28.1 / 25.75
	Input (T1/T3)	kW	7.5 / 8.98	9.6 / 15.00
		EER (T1)	W/W	2.93
Heating	Capacity	Btu/h	85,000	106,000
		kW	25.0	31.1
	Input	kW	8.3	10.3
		COP	W/W	3.01
Max. power input		kW	11.7 (Whole units)	0.7 (IDU)
Max. current		A	19.3 (Whole units)	3.0 (IDU)
Air flow (Hi)		m <sup>3</sup> /h	4,250 (2,500CFM)	5,100 (3,000CFM)
Noise level		dB(A)	58	56
Fan type / Drive type			Centrifugal / Direct	Centrifugal / Direct
Coil			Copper tube and aluminum fin	Copper tube and aluminum fin
Controller			Remote controller	Remote controller
Dimension	Net (WxHxD)	mm	1,200x1,860x518	1,200x1,860x518
	Packing (WxHxD)	mm	1,362x2,050x582	1,362x2,050x582
Net / Gross weight		kg	138 / 153	140 / 155



Outdoor unit model			MOV-76HN1-C	MOVTA-96HN1-R
Outdoor unit power supply			380-415V, 3Ph~, 50Hz	380-415V, 3Ph~, 50Hz
Max. power input		kW	11.7 (Whole units)	14.4 (ODU)
Max. current		A	19.3 (Whole units)	23.7 (ODU)
Air flow rate		m <sup>3</sup> /h	12,500	12,500
Noise level		dB(A)	65	68
Compressor (Type / Quantity)			Scroll / 1	Scroll / 1
Refrigerant (Type / Quantity)			R410A / 5.4kg	R410A / 6.0kg
Fan type / Drive type			Axial / Direct	Axial / Direct
Coil			Copper tube and aluminum fin	Copper tube and aluminum fin
Refrigerant piping size		mm	Φ9.52 (Liquid), Φ22 (Gas)	Φ12.7 (Liquid), Φ25 (Gas) #
Ambient temperature		°C	17~52 (Cooling) / -7~24 (Heating)	17~52 (Cooling) / -7~24 (Heating)
Dimension	Body (WxHxD)	mm	1,260x908x700	1,312x919x658
	Packing (WxHxD)	mm	1,320x1,060x730	1,320x1,060x730
Net / Gross weight		kg	174 / 193	177 / 192

### Notes:

- #. Connection piping diameter is the inlet and outlet pipe of the indoor unit and stop valves of outdoor unit. When the length of the refrigerant pipe between indoor and outdoor is not more than 30m, please connect the straight pipes as the accessory in indoor and outdoor unit with liquid pipe joints to change the diameter of liquid pipes to Φ9.52. When the length of the refrigerant pipe is more than 30m and less than 50m, please connect the straight pipe (prepared in site) with gas pipe joints to change the diameter of gas pipe to Φ28.1.
- T1 cooling capacity test condition: Outdoor ambient temperature: 35°C, indoor temperature 27°C DB / 19°C WB; refrigerant pipe length between indoor unit and outdoor unit is 7.5m.
  - T3 cooling capacity test condition: Outdoor ambient temperature: 46°C, indoor temperature 29°C DB / 19°C WB; refrigerant pipe length between indoor unit and outdoor unit is 7.5m.
  - Heating capacity test condition: Outdoor ambient temperature: 7°C DB / 6°C WB, indoor temperature 20°C DB / 15°C WB; refrigerant pipe length between indoor unit and outdoor unit is 7.5m.
  - Specifications are subject to change without prior notice for product improvement.

# Specifications

Tropical (T3) Application  
Cooling only



Indoor unit model			MFA-76CRN1	MFA3T-96CRN1	MFAT-120CRN1
Outdoor unit model / Quantity			MOV-76CN1-C / 1	MOVTA-96CN1-R / 1	MOV-120CN1-C / 1
Indoor unit power supply			220-240V, 1Ph~, 50Hz	220-240V, 1Ph~, 50Hz	220-240V, 1Ph~, 50Hz
Cooling	Capacity (T1/T3)	Btu/h	75,100 / 64,800	96,000 / 87,860	121,000 / 110,900
		kW	22.0 / 19.0	28.1 / 25.75	35.0 / 32.5
	Input (T1/T3)	kW	7.5 / 8.98	9.6 / 15.00	13.0 / 15.50
		EER (T1)	W/W	2.93	2.93
Heating	Capacity	Btu/h	-	-	-
		kW	-	-	-
	Input	kW	-	-	-
		COP	W/W	-	-
Max. power input		kW	11.7 (Whole units)	0.7 (IDU)	17.3 (Whole units)
Max. current		A	19.3 (Whole units)	3.0 (IDU)	28.6 (Whole units)
Air flow (Hi)		m <sup>3</sup> /h	4,250 (2,500CFM)	5,100 (3,000CFM)	6,060 (3,560CFM)
Noise level		dB(A)	58	56	65
Fan type / Drive type			Centrifugal / Direct	Centrifugal / Direct	Centrifugal / Direct
Coil			Copper tube and aluminum fin	Copper tube and aluminum fin	Copper tube and aluminum fin
Controller			Remote controller	Remote controller	Remote controller
Dimension	Net (WxHxD)	mm	1,200x1,860x518	1,200x1,860x518	1,200x1,860x518
	Packing (WxHxD)	mm	1,362x2,050x582	1,362x2,050x582	1,362x2,050x582
Net / Gross weight		kg	138 / 153	140 / 155	148 / 163



Outdoor unit model			MOV-76CN1-C	MOVTA-96CN1-R	MOV-120CN1-C
Outdoor unit power supply			380-415V, 3Ph~, 50Hz	380-415V, 3Ph~, 50Hz	380-400V, 3Ph~, 50Hz
Max. power input		kW	11.7 (Whole units)	14.4 (ODU)	17.3 (Whole units)
Max. current		A	19.3 (Whole units)	23.7 (ODU)	28.6 (Whole units)
Air flow rate		m <sup>3</sup> /h	12,500	12,500	13,000
Noise level		dB(A)	65	68	69
Compressor (Type / Quantity)			Scroll / 1	Scroll / 1	Scroll / 1
Refrigerant (Type / Charged)			R410A / 5.4kg	R410A / 6.0kg	R410A / 7.2kg
Fan type / Drive type			Axial / Direct	Axial / Direct	Axial / Direct
Coil			Copper tube and aluminum fin	Copper tube and aluminum fin	Copper tube and aluminum fin
Refrigerant piping size		mm	Φ9.52 (Liquid), Φ22 (Gas)	Φ12.7 (Liquid), Φ25 (Gas) #	Φ12.7 (Liquid), Φ28.6 (Gas)
Ambient temperature		°C	17~52	17~52	17~52
Dimension	Body (WxHxD)	mm	1,260x908x700	1,312x919x658	1,260x908x700
	Packing (WxHxD)	mm	1,320x1,060x730	1,320x1,060x730	1,320x1,060x730
Net / Gross weight		kg	171 / 190	168 / 183	199 / 215

### Notes:

- #. Connection piping diameter is the inlet and outlet pipe of the indoor unit and stop valves of outdoor unit. When the length of the refrigerant pipe between indoor and outdoor is not more than 30m, please connect the straight pipes as the accessory in indoor and outdoor unit with liquid pipe joints to change the diameter of liquid pipes to Φ9.52. When the length of the refrigerant pipe is more than 30m and less than 50m, please connect the straight pipe (prepared in site) with gas pipe joints to change the diameter of gas pipe to Φ28.1.
- T1 cooling capacity test condition: Outdoor ambient temperature: 35°C, indoor temperature 27°C DB / 19°C WB; refrigerant pipe length between indoor unit and outdoor unit is 7.5m.
  - T3 cooling capacity test condition: Outdoor ambient temperature: 46°C, indoor temperature 29°C DB / 19°C WB; refrigerant pipe length between indoor unit and outdoor unit is 7.5m.
  - Heating capacity test condition: Outdoor ambient temperature: 7°C DB / 6°C WB, indoor temperature 20°C DB / 15°C WB; refrigerant pipe length between indoor unit and outdoor unit is 7.5m.
  - Specifications are subject to change without prior notice for product improvement.

## Specifications

Tropical (T3) application

Outdoor unit power supply: 208-230V, 3Ph, 60Hz



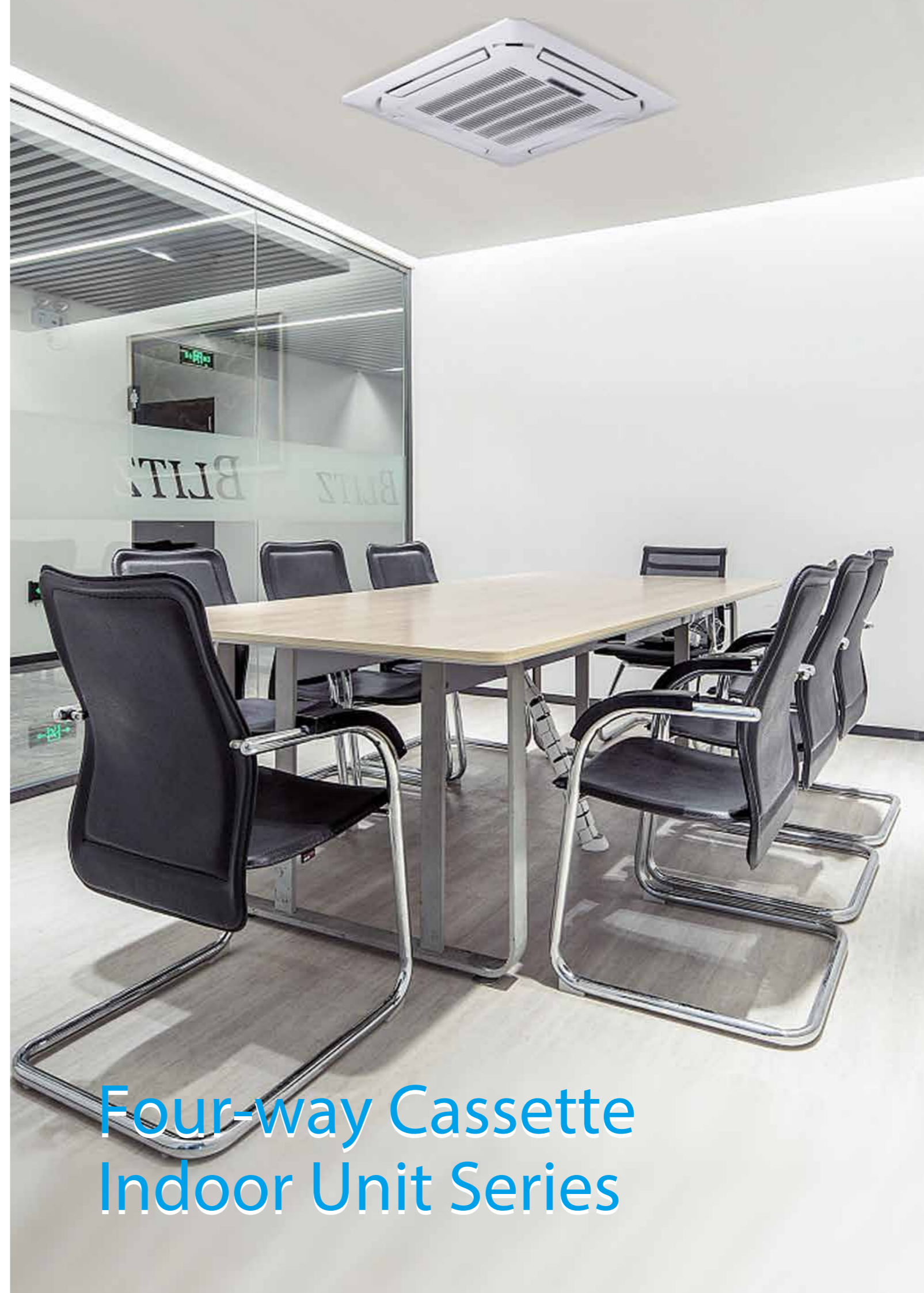
Indoor unit model		MFA1-96CRN1	
Outdoor unit model / Quantity		MOV-96CN1-X / 1	
Indoor unit power supply		208~230V, 1Ph~, 60Hz	
Cooling	Capacity (T1/T3)	Btu/h	95,500 / 90,400
		kW	28.0 / 26.50
	Input (T1/T3)	kW	9.6 / 11.92
		EER (T1)	W/W
Max. power input (Whole units)		W	1,700 (Indoor unit)
Max. current (Whole units)		A	8.4 (Indoor unit)
Air flow (Hi)		m <sup>3</sup> /h	5,100 (3,000CFM)
Standard external static pressure		Pa	\
Noise level		dB(A)	56
Fan type / Drive type		Centrifugal / Direct	
Coil		Copper tube and aluminum fin	
Controller		Remote controller	
Dimension	Net (WxHxD)	mm	1,200x1,860x518
	Packing (WxHxD)	mm	1,362x2,050x582
Net / Gross weight		kg	140 / 155



Outdoor unit model		MOV-96CN1-X	
Outdoor unit power supply		208~230V, 3Ph~, 60Hz	
Max. power input	W	16,700 (Outdoor unit)	
Max. current	A	44.4 (Outdoor unit)	
Air flow rate	m <sup>3</sup> /h	12,500	
Noise level	dB(A)	69	
Compressor (Type / Quantity)		Scroll / 1	
Refrigerant (Type / Charged)		R410A / 6.5kg	
Fan type / Drive type		Axial / Direct	
Coil		Copper tube and aluminum fin	
Refrigerant piping size	mm	Φ9.52 (Liquid), Φ22 (Gas)	
Ambient temperature	°C	17~52	
Dimension	Body (WxHxD)	mm	1,260x908x700
	Packing (WxHxD)	mm	1,320x1,060x730
Net / Gross weight		kg	187 / 204

### Notes:

1. T1 Cooling capacity test condition: Outdoor ambient temperature: 35°C, indoor temperature 27°C DB / 19°C WB; refrigerant pipe length between indoor unit and outdoor unit is 7.5m.
2. T3 Cooling capacity test condition: Outdoor ambient temperature: 46°C, indoor temperature 29°C DB / 19°C WB; refrigerant pipe length between indoor unit and outdoor unit is 7.5m.
3. Specifications are subject to change without prior notice for product improvement.



## Four-way Cassette Indoor Unit Series

# Four-way Cassette Indoor Unit Series



## Fresh Air Intake

Fresh air can enter through the cassette unit so you can enjoy even fresher air in a room.



## Easy Troubleshooting

For Four-way Cassette: By adding digital tube on the display board, Error Codes can be displayed directly for troubleshooting.

## 360° Airflow Outlet

For Compact Four-way Cassette: 360° air outlet provides strong air flow circulation to cool or heat every corner of a room and evenly control temperatures.



## High-lift Drain Pump

For Compact Four-way Cassette: Drain pump with a 500mm pump head is fitted as standard; maximum 600mm pump head is available.

For Four-way Cassette: Drain pump can pump condenser water up to 750mm high, which simplifies installation of the drain piping system.

	Anti-Cold Air Function		Auto Restart Function		Auto Defrosting
	Independent Dehumidification		Timer		PTC Heater

Features: ■ Standard ■ Optional

# Specifications

T1 Application  
DC inverter four-way cassette, heat pump



Indoor unit model/ Quantity		MQ4A-48HWAN1/2	
Outdoor unit model / Quantity		MOUB-96HD1N1-R/1	
Panel / Quantity		T-MBQ-02C1/2	
Branch joint / Quantity		FQZHN-02D/1	
Indoor unit power supply		220-240V, 1Ph~, 50Hz	
Cooling	Capacity	Btu/h	/
	Input	kW	26
	EER	W/W	3.17
	SEER	W/W	3
Heating	Capacity	Btu/h	/
	Input	kW	27.5
	COP	W/W	7.85
Max. power input		W	11800 (Whole units)
Max. current		A	21 (Whole units)
Air flow (Hi)		m³/h	1800
Noise level (Hi/MED/LOW)		dB(A)	41/39/37 (single unit)
Fan	Type	Centrifugal	
	Drive type	Direct	
Coil		Copper tube and aluminum fin	
Controller		Remote controller	
Dimension	Net (WxHxD)	mm	840x300x840 950x950x46 (Panel)
	Packing (WxHxD)	mm	955x317x955 1035x1035x90 (Panel)
Net / Gross weight		kg	29.2/35.2 5.3/7.9 (Panel)



Outdoor unit model		MOUB-96HD1N1-R	
Outdoor unit power supply		380-415V, 3Ph~, 50Hz	
Max. power input		kW	12.4
Max. current		A	24.1
Air flow rate		m³/h	11,052
Noise level		dB(A)	60
Compressor (Type / Quantity)		Scroll / 1	
Refrigerant (Type / Quantity)		R410A / 6kg	
Fan type / Drive type		Axial / Direct	
Coil		Copper tube and aluminum fin	
Refrigerant piping size		mm	Φ9.52 (Liquid), Φ22 (Gas)
Ambient temperature		°C	10~55 (Cooling) / -15~27 (Heating)
Dimension	Body (WxHxD)	mm	1,120x1,558x400
	Packing (WxHxD)	mm	1,270x1,575x480
Net / Gross weight		kg	142 / 157

Notes:  
 1. Cooling capacity test condition: Outdoor ambient temperature: 35°C, indoor temperature 27°C DB / 19°C WB; refrigerant pipe length between indoor unit and outdoor unit is 7.5m.  
 2. Heating capacity test condition: Outdoor ambient temperature: 7°C DB / 6°C WB, indoor temperature 20°C DB / 15°C WB; refrigerant pipe length between indoor unit and outdoor unit is 7.5m.  
 3. Specifications are subject to change without prior notice for product improvement.

# Specifications

T1 Application  
DC inverter four-way cassette



Indoor unit model/ Quantity			MQ4A-48CRDN1	MQ4A-38CRDN1
Outdoor unit model / Quantity			MOUC-96CDN1-R/1	MOUC-76CDN1-R/1
Panel / Quantity			T-MBQ-02C1/2	T-MBQ-02C1/2
Branch joint / Quantity			FQZHN-02D/1	FQZHN-02D/1
Indoor unit power supply			220-240V, 1Ph~, 50Hz	220-240V, 1Ph~, 50Hz
Cooling	Capacity	kW	28	23.5
	Input	kW	12.61	10.5
	EER	W/W	2.22	2.24
	SEER	W/W	3	3.4
Max. power input		W	190 (Indoor unit)	190 (Indoor unit)
Air flow		m³/h	1800	1800
Noise level		dB(A)	41/39/37(single unit)	41/39/37(single unit)
Fan	Type		Centrifugal	Centrifugal
	Drive type		Direct	Direct
Coil			Copper tube and aluminum fin	
Controller			Remote controller	Remote controller
Refrigerant pipe	Liquid	mm	Ø9.53	Ø9.53
	Gas	mm	Ø22.2	Ø22.2
Dimension	Net (WxHxD)	mm	840x300x840 950x950x46 (Panel)	840x300x840 950x950x46 (Panel)
	Packing (WxHxD)	mm	955x317x955 1035x1035x90 (Panel)	955x317x955 1035x1035x90 (Panel)
Net/Gross weight		kg	29.2/35.2 5.3/7.9 (Panel)	29.2/35.2 5.3/7.9 (Panel)

Notes:  
1. T1 cooling capacity test condition: Outdoor ambient temperature: 35°C, indoor temperature 27°C DB / 19°C WB; refrigerant pipe length between indoor unit and outdoor unit is 7.5m.  
2. Heating capacity test condition: Outdoor ambient temperature: 7°C DB / 6°C WB, indoor temperature 20°C DB / 15°C WB; refrigerant pipe length between indoor unit and outdoor unit is 7.5m.  
3. Specifications are subject to change without prior notice for product improvement.



Outdoor unit model			MOUC-96CDN1-R	MOUC-76CDN1-R
Outdoor unit power supply			380-415V, 3Ph~, 50Hz	380-415V, 3Ph~, 50Hz
Max. power input		kW	14 (Whole units)	14 (Whole units)
Max. current		A	32 (Whole units)	32 (Whole units)
Air flow rate		m³/h	7150	7150
Noise level		dB(A)	62	62
Compressor	Type	/	Rotary	Rotary
	Quantity	/	1	1
Refrigerant	Type	/	R410A	R410A
	Quantity	Kg	3.9	3.9
Fan type / Drive type		/	Axial fan/Direct	Axial fan/Direct
Coil			Copper tube and aluminum fin	
Refrigerant piping size	Liquid	mm	Ø9.53	Ø9.53
	Gas	mm	Ø22.2	Ø22.2
Ambient temperature		°C	10-55	10-55
Dimension	Body (WxHxD)	mm	900x1325x370	900x1325x370
	Packing (WxHxD)	mm	1030x1456x435	1030x1456x435
Net / Gross weight		kg	115/125	115/125

# Specifications

T1 Application  
DC inverter four-way cassette, cooling only



Indoor unit model/ Quantity			MQ4A-48CRDN1-V/2	MQ4A-38CRDN1-V/2
Outdoor unit model / Quantity			MOUC-96CDN1-C/1	MOUC-76CDN1-C/1
Panel / Quantity			T-MBQ-02C1/2	T-MBQ-02C1/2
Branch joint / Quantity			FQZHN-02D/1	FQZHN-02D/1
Indoor unit power supply			220-240V, 1Ph~, 60Hz	220-240V, 1Ph~, 60Hz
Cooling	Capacity	kW	28	23.5
	Input	kW	12.61	10.5
	EER	W/W	2.22	2.24
	SEER	W/W	3	3.4
Max. power input		W	190 (Indoor unit)	190 (Indoor unit)
Air flow		m³/h	1800	1800
Noise level		dB(A)	41/39/37(single unit)	41/39/37(single unit)
Fan	Type		Centrifugal	Centrifugal
	Drive type		Direct	Direct
Coil			Copper tube and aluminum fin	
Controller			Remote controller	Remote controller
Refrigerant pipe	Liquid	mm	Ø9.53	Ø9.53
	Gas	mm	Ø22.2	Ø22.2
Dimension	Net (WxHxD)	mm	840x300x840 950x950x46 (Panel)	840x300x840 950x950x46 (Panel)
	Packing (WxHxD)	mm	955x317x955 1035x1035x90 (Panel)	955x317x955 1035x1035x90 (Panel)
Net/Gross weight		kg	29.2/35.2 5.3/7.9 (Panel)	29.2/35.2 5.3/7.9 (Panel)

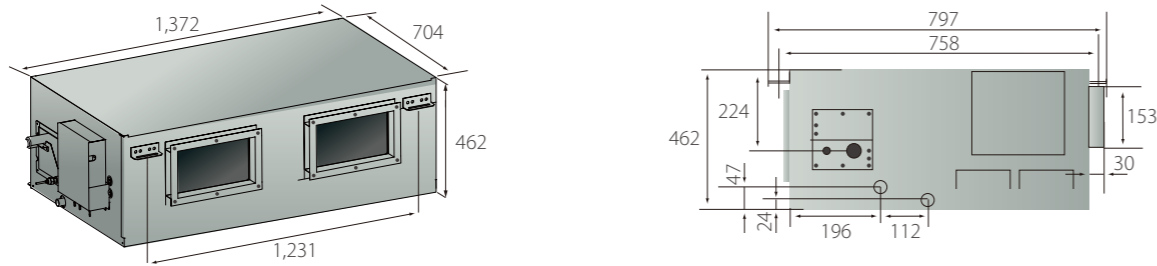
Notes:  
1. T1 cooling capacity test condition: Outdoor ambient temperature: 35°C, indoor temperature 27°C DB / 19°C WB; refrigerant pipe length between indoor unit and outdoor unit is 7.5m.  
2. Heating capacity test condition: Outdoor ambient temperature: 7°C DB / 6°C WB, indoor temperature 20°C DB / 15°C WB; refrigerant pipe length between indoor unit and outdoor unit is 7.5m.  
3. Specifications are subject to change without prior notice for product improvement.



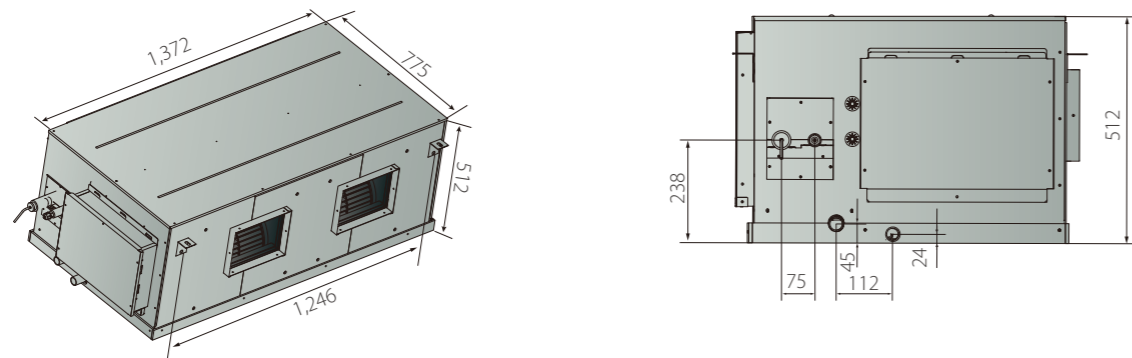
Outdoor unit model			MOUC-96CDN1-C	MOUC-76CDN1-C
Outdoor unit power supply			380-415V, 3Ph~, 60Hz	380-415V, 3Ph~, 60Hz
Max. power input		kW	14 (Whole units)	14 (Whole units)
Max. current		A	32 (Whole units)	32 (Whole units)
Air flow rate		m³/h	7500	7500
Noise level		dB(A)	62	62
Compressor	Type	/	Rotary	Rotary
	Quantity	/	1	1
Refrigerant	Type	/	R410A	R410A
	Quantity	Kg	3.9	3.9
Fan type / Drive type		/	Axial fan/Direct	Axial fan/Direct
Coil			Copper tube and aluminum fin	
Refrigerant piping size	Liquid	mm	Ø9.53	Ø9.53
	Gas	mm	Ø22.2	Ø22.2
Ambient temperature		°C	10-55	10-55
Dimension	Body (WxHxD)	mm	900x1325x370	900x1325x370
	Packing (WxHxD)	mm	1030x1456x435	1030x1456x435
Net / Gross weight		kg	115/125	115/125

# Dimensions

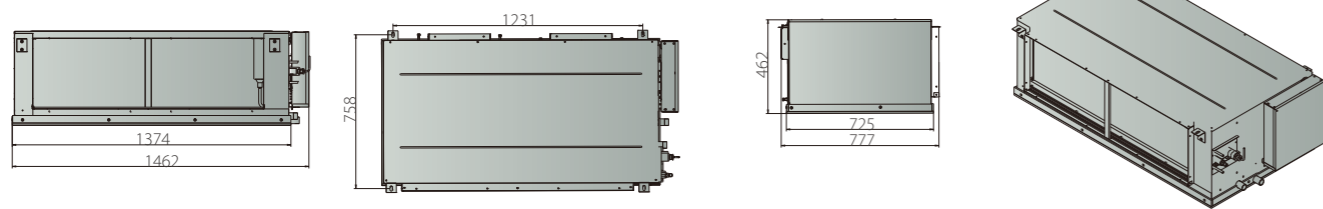
T1 application  
 Duct indoor unit: MTB-76HWN1, MTB-120HWN1, MHB-76HWN1,  
 (Units: mm)



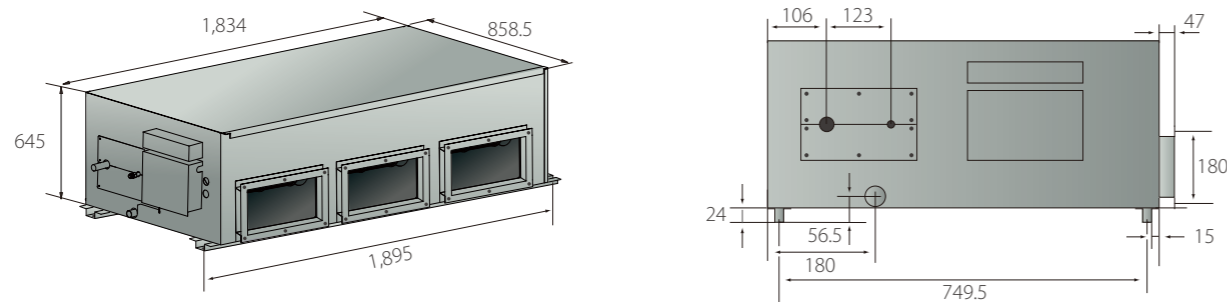
T1 application  
 Duct indoor unit: MHC1-76HWD1N1, MHC-75HWD1N1(A),  
 MHC-96HWD1N1, MHC-96HWD1N1(A)  
 (Units: mm)



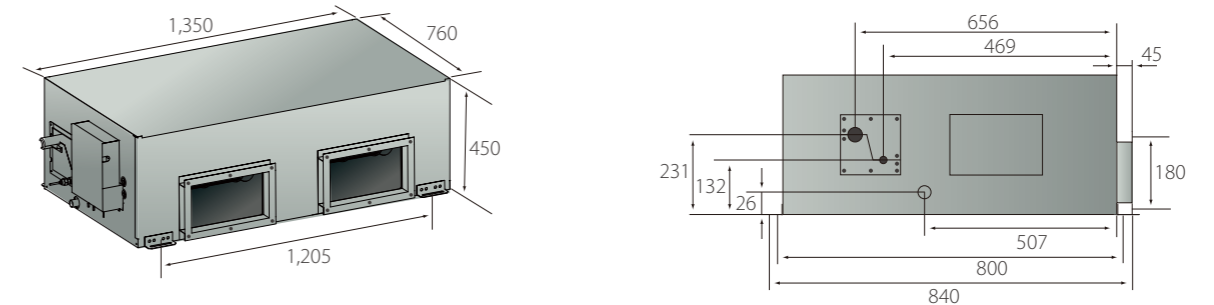
T1 application  
 Indoor unit: MHA-96HWN1, MTA-96HWN1, MHA-96CWDN1, MHA-76CWDN1, MTA-96CWDN1,  
 MTA-76CWDN1, MHA-96CWDN1-V, MHA-76CWDN1-V, MTA-96CWDN1-V, MTA-76CWDN1-V  
 (Units: mm)



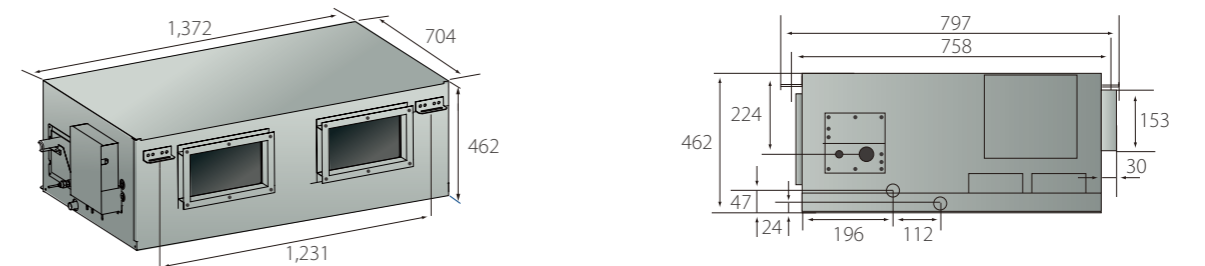
T1 application  
 Duct indoor unit: MHA-150HWN1, MHA-192HWN1  
 (Units: mm)



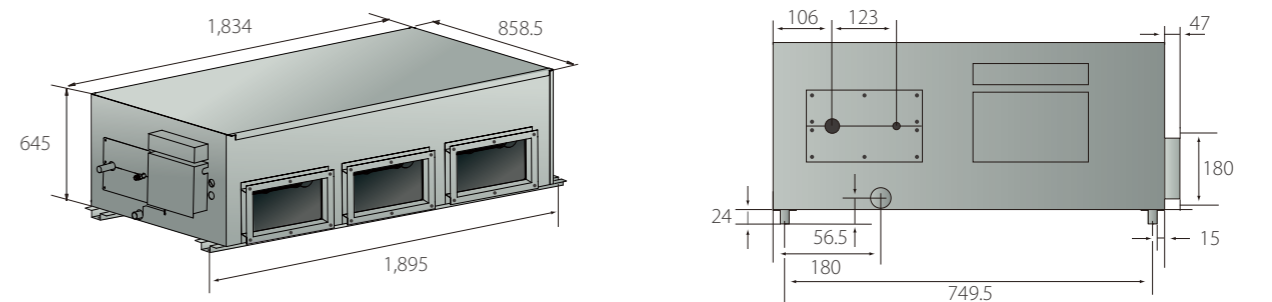
Tropical (T3) application  
 Duct indoor unit: MTA-76HRN1, MTA-76CRN1  
 MHB-76HRN1, MHB-76CRN1  
 (Units: mm)



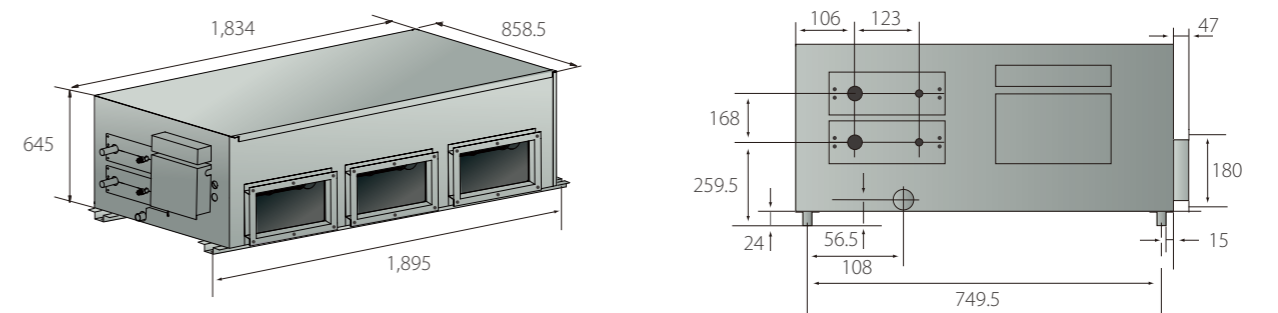
Tropical (T3) application  
 Duct indoor unit: MTB1T-96HWN1, MTB1T-96CWN1  
 MHB1T-96HWN1, MHB1T-96CWN1, MTA1-96CQN1  
 (Units: mm)



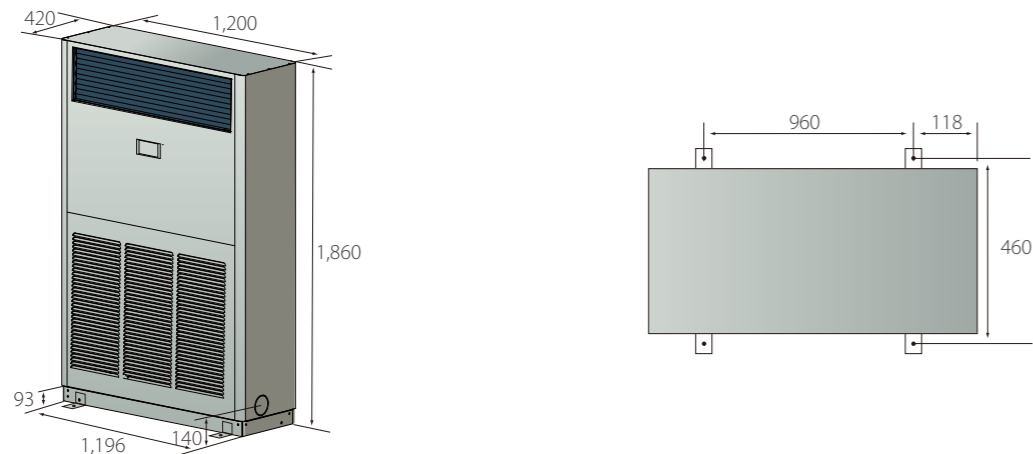
Tropical (T3) application  
 Duct indoor unit: MTA-120HRN1, MTA-120CRN1,  
 MTA1-120CQN1  
 (Units: mm)



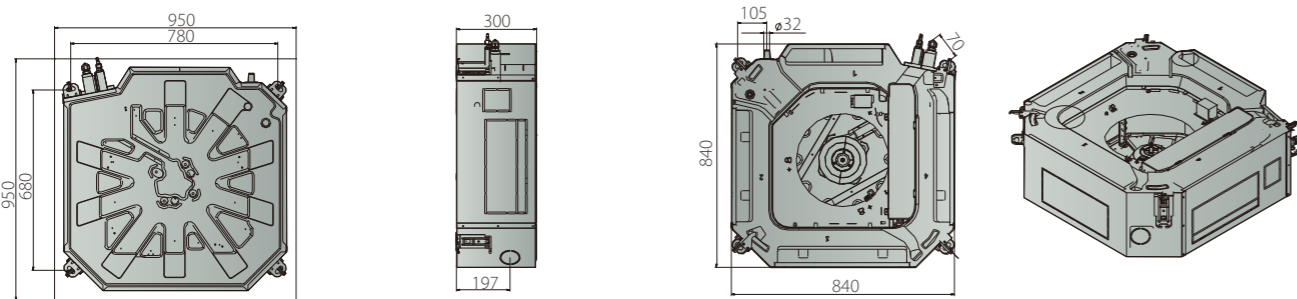
Tropical (T3) application  
 Duct indoor unit: MTA-150CRN1  
 MTA1-180CQN1, MTA1-240CQN1  
 (Units: mm)



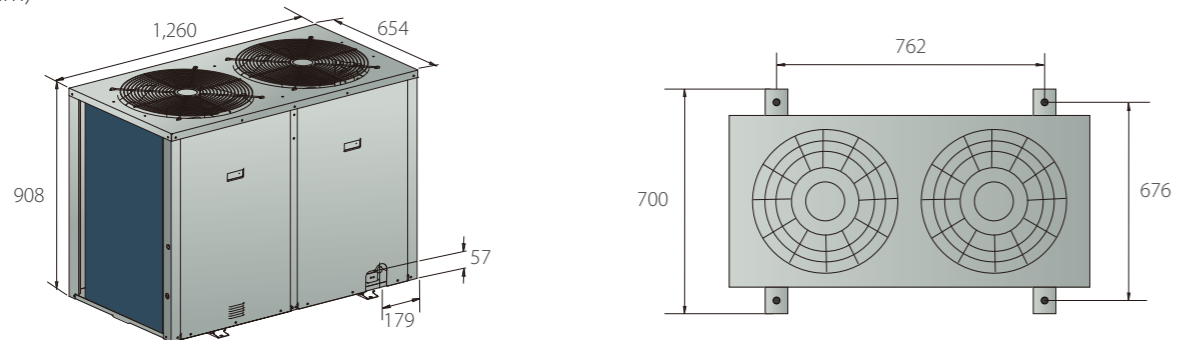
T1 & Tropical (T3) application  
 Floor-standing indoor unit: MFA2-76HRN1, MFA-76HRN1, MFA-76CRN1,  
 MFA3T-96HRN1, MFA3T-96CRN1, MFA-96HWAN1-R, MFA1-96CRN1, MFAT-120CRN1, MFA-96CRDN1, MFA-76CRDN1,  
 MFA-96CRDN1-V, MFA-76CRDN1-V  
 (Units: mm)



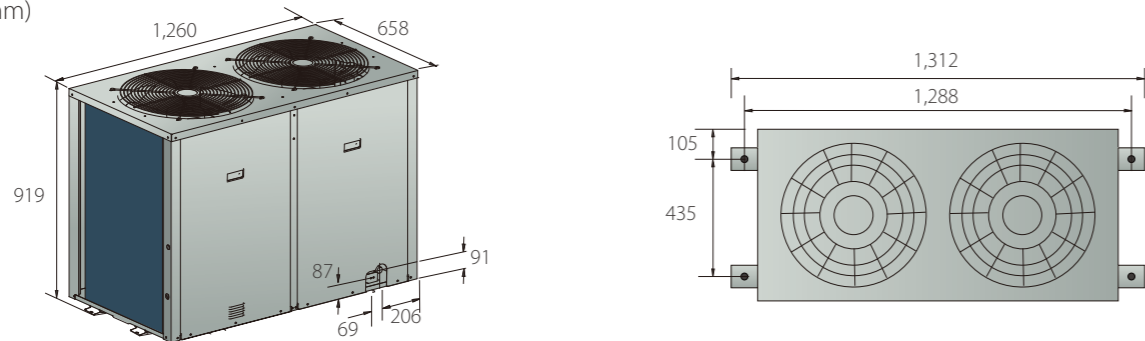
T1 application  
 Indoor unit: MQ4A-48HWAN1, MQ4A-48CRDN1, MQ4A-38CRDN1, MQ4A-48CRDN1-V, MQ4A-38CRDN1-V  
 (Units: mm)



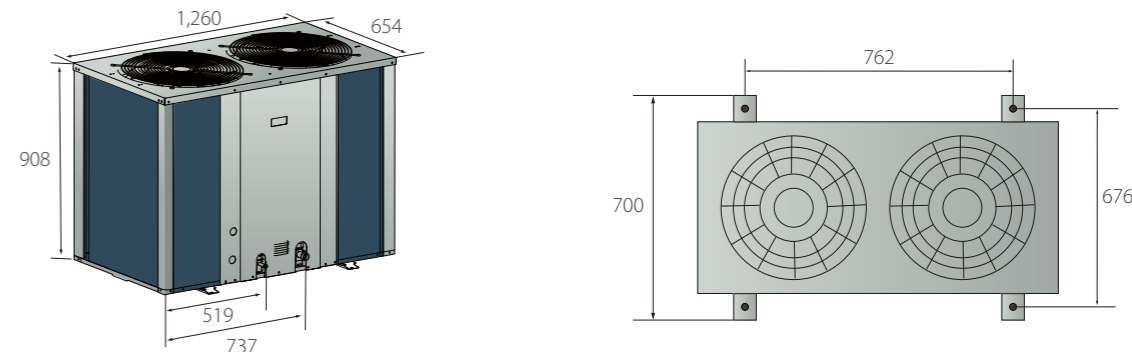
T1 & Tropical (T3) application  
 Outdoor unit: MOV-76HN1-R, MOV-76HN1-C, MOV-76CN1-C  
 (Units: mm)



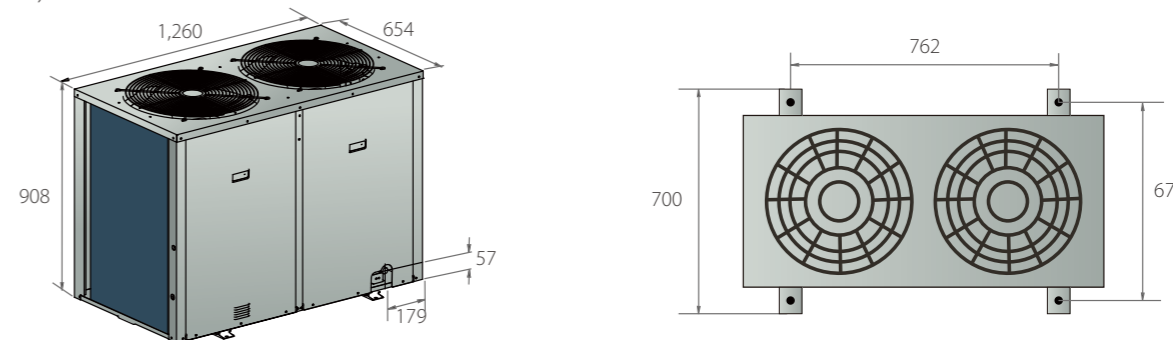
T1 & Tropical (T3) application  
 Outdoor unit: MOVTA-96HN1-R, MOVTA-96CN1-R  
 (Units: mm)



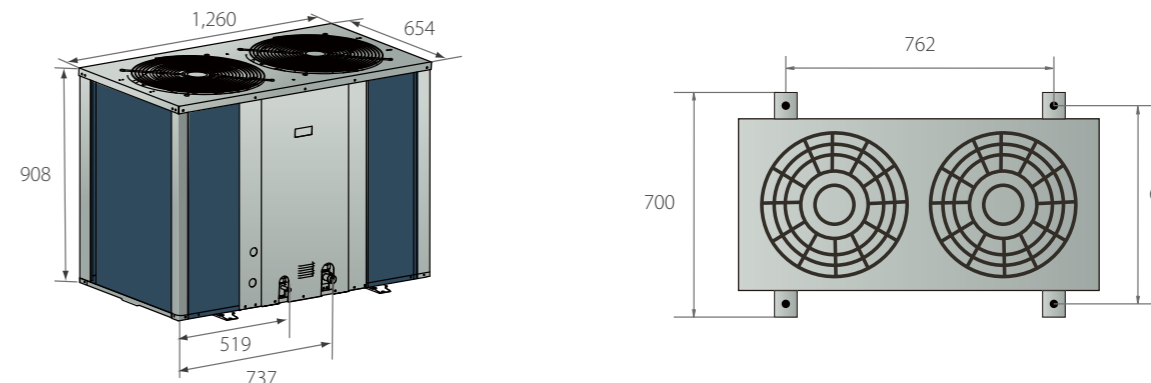
T1 & Tropical (T3) application  
 Outdoor unit: MOV-120HN1-R, MOV-120HN1-C, MOV-120CN1-C  
 (Units: mm)



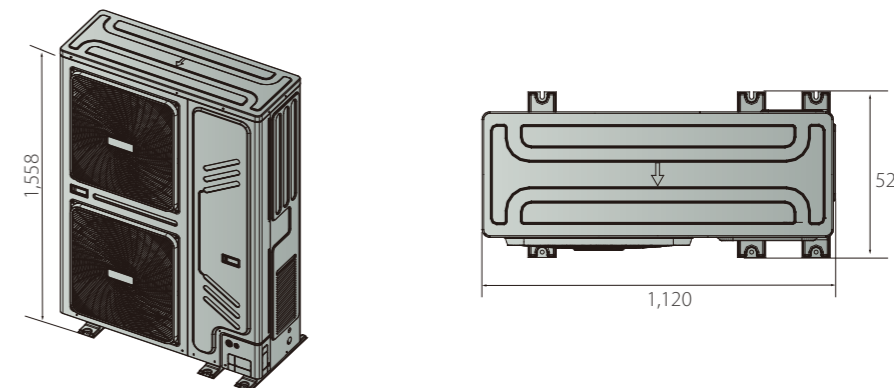
T3 application, 208~230V/380V 3Ph~ 60Hz  
 Outdoor unit: MOV-96CN1-X  
 (Units: mm)



T3 application, 208~230V/380V 3Ph~ 60Hz  
 Outdoor unit: MOV-120CN1-X  
 (Units: mm)

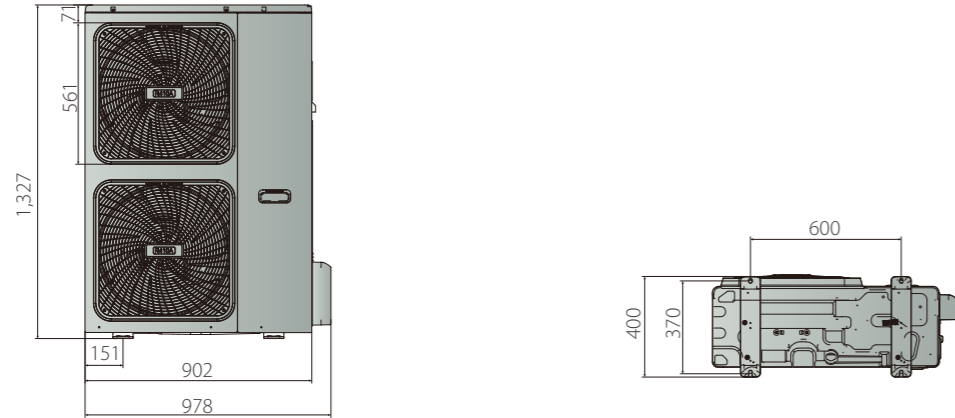


T1 application  
 Outdoor unit: MOUA-96HD1N1-R, MOUB-96HD1N1-R  
 (Units: mm)

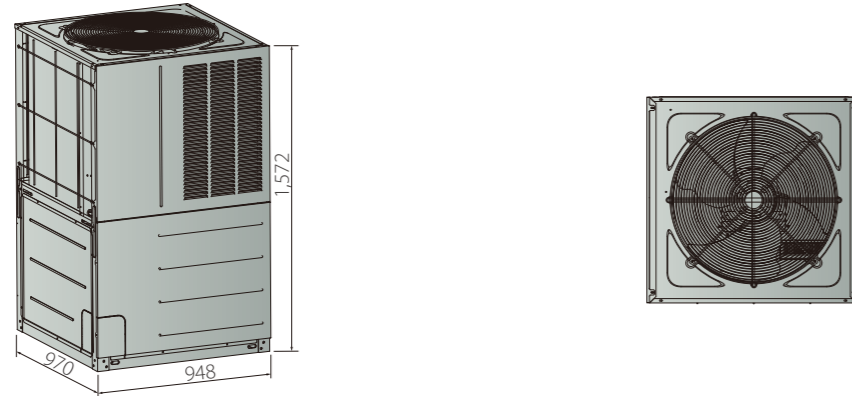




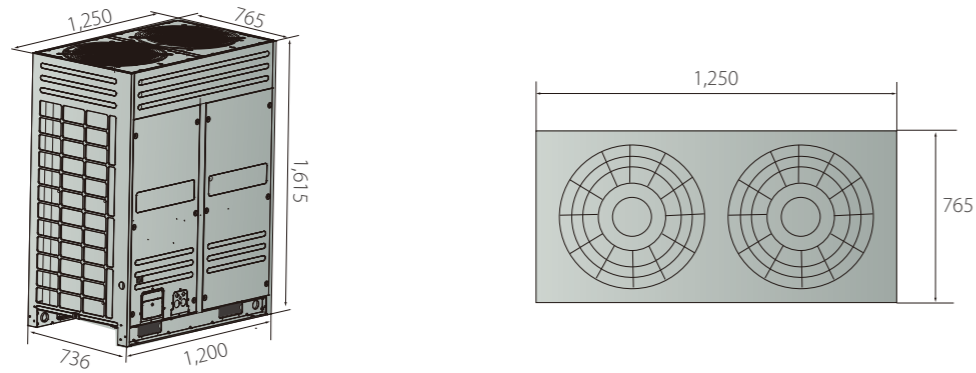
T1 application  
Outdoor unit: MOUC-96CDN1-R, MOUC-76CDN1-R, MOUC-96CDN1-C, MOUC-76CDN1-C  
(Units: mm)



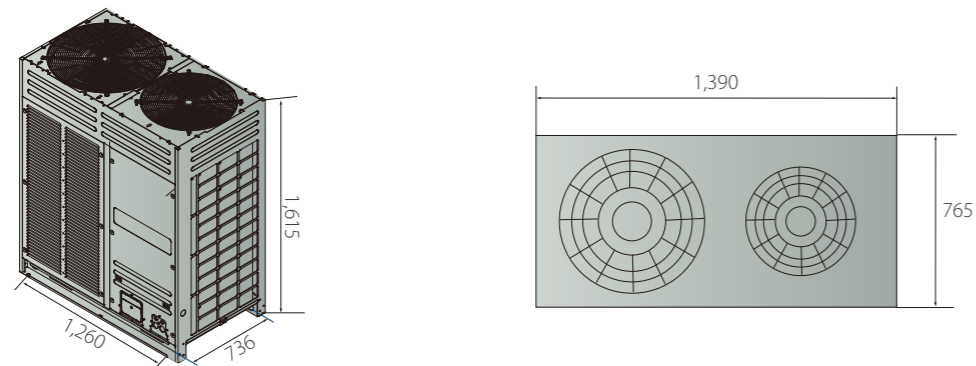
T1 Application  
Outdoor unit: MOVG1-76HD1N1-R, MOVG-96HD1N1-R  
(Units: mm)



T1 application  
Outdoor unit: MOV-150HN1-R  
(Units: mm)



T1 application  
Outdoor unit: MOV-192HN1-R  
(Units: mm)



# Controllers



## Remote Controller - R51



### Parameter

Model: R51/CE (Cooling only type)  
R51/E (Heat pump type)  
Dimension (mm): 140×60×15  
Power: 1.5V (LR03/AAA)×2

## RM05



### Parameter

Model: RM05  
Dimension (mm): 150×65×20  
Power: 1.5V (LR03/AAA)×2

### Standard features

- ❖ It provides a convenient way for users to control the air conditioners everywhere within a range up to 11m.
- ❖ Built-in daily timer offers the convenience of automatically starting and turning down the air conditioners according to the set time.

## Wired Controller - KJR-29B



### Parameter

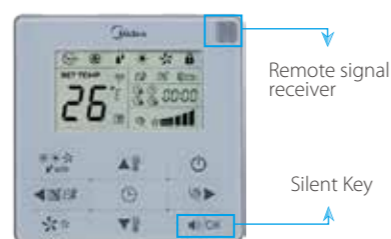
Model: KJR-29B (Touch-style key)  
Dimension (mm): 120×120×20  
Power: From the display panel,  
extra power is unnecessary.

### Standard features

- ❖ Keyboard locking function as standard, it can be used to prevent other people from using the controller.
- ❖ Built-in daily timer offers the convenience of automatically starting and turning down the air conditioners according to the set time.

### Remote signal receiving function

- ❖ KJR-29B provides a signal receiver to receive the signal from remote controller.
- ❖ The received signal can be directly sent to the indoor unit by wired controller. It is convenient to control the air conditioner.



### Silent mode

- ❖ During the operating, when operate the silent mode, the units can reduce the running noise through setting the fan speed to low automatically. It will help you bring a quieter environment.

## Centralized Controller - CCM30



CCM30



MD-NIM01

### Parameter

Model: CCM30 + MD-NIM01  
Dimension (mm): 180×122×78 (CCM30BKE-B)  
180×122×68 (CCM30BKE-A)  
81.8×46.8×15.5 (MD-NIM01)  
Power: 198~242V, 50/60Hz (MD-CCM30)  
DC+5V (MD-NIM01)

### Centralized control

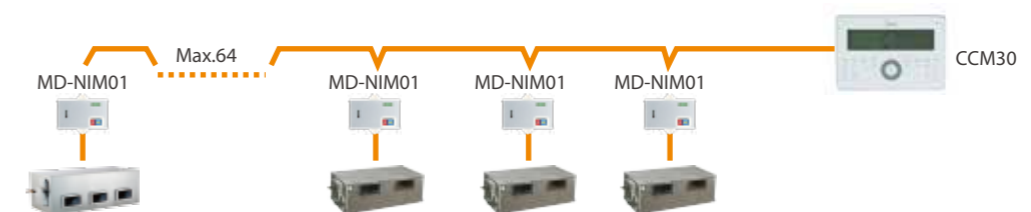
- ❖ MD-CCM30, centralized controller, is a multifunctional device that can control up to 64 indoor units within a maximum connection length of 1200m.
- ❖ User can group control or individual control and the set temperature of each units can also different.
- ❖ The indoor units working status and error codes can be displayed in the screen of CCM30. Via checking the error codes table in the user manual, user can easily find out the malfunction and call the service engineer.

### Three lock modes

- ❖ Centralized controller provides a superior way to manage the indoor units. Users can be able to make their own choice from three locking mode: locking the wireless controller, locking the running mode or locking centralized controller keyboard as they wish.

### Access to network monitoring

- ❖ MD-CCM30 is able to bridge up to 64 indoor units to network monitoring system and building management system.



Note: The new DC inverter series connected to outdoor unit XYE port directly.

### Easy installation

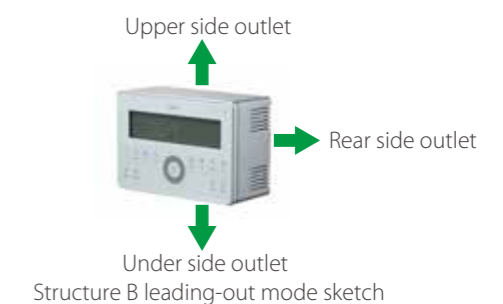
- ❖ Two structures design, easy installation. Structure A (Model No. CCM30/BKE-A) should be embedded into the wall and structure B (Model No. CCM30/BKE-B) doesn't need.



Structure A



Structure B



Structure B leading-out mode sketch